



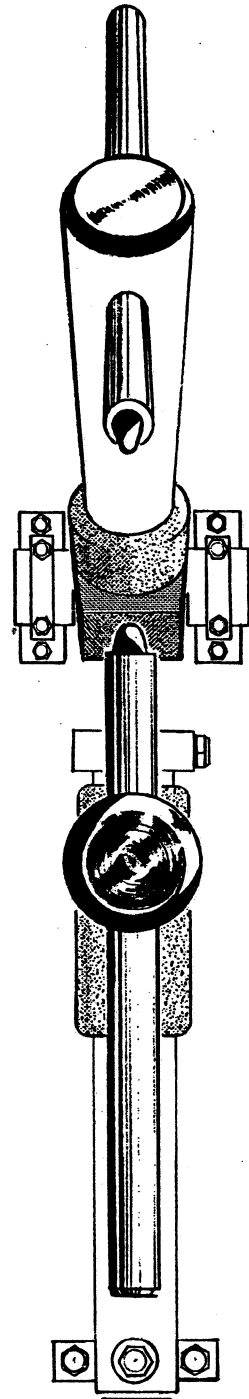
WESTERN ARCTRONICS

SPOT WELDERS

Parts List

165 SERIES-10 15 30 40 50 KVA

Effective above Ser. No. 2000



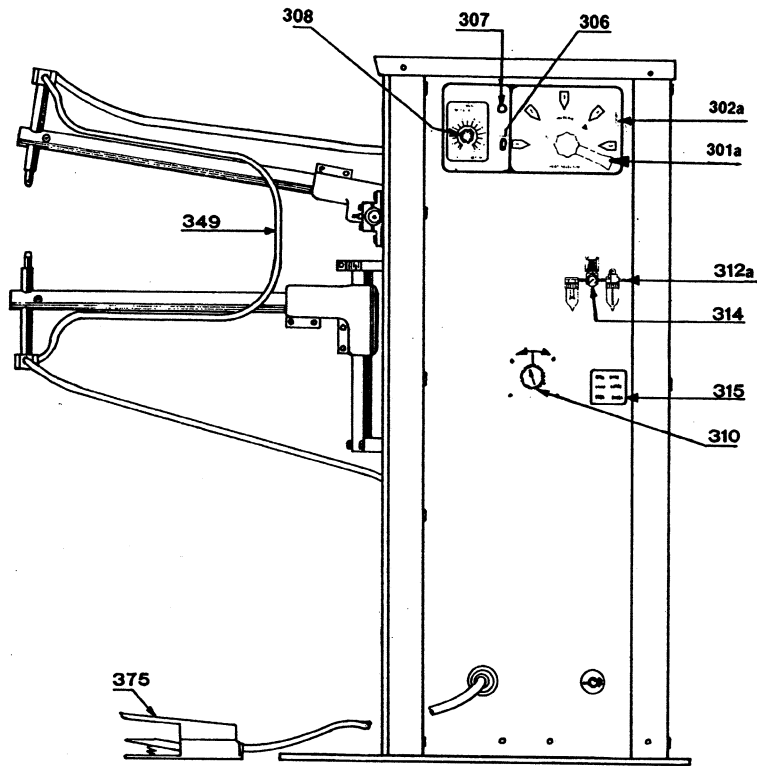


FIG. 1A

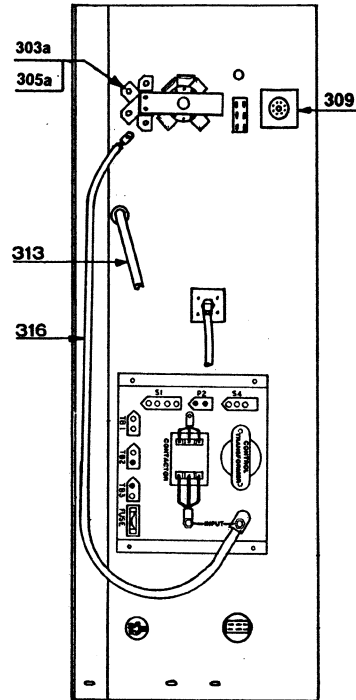


FIG. 2A

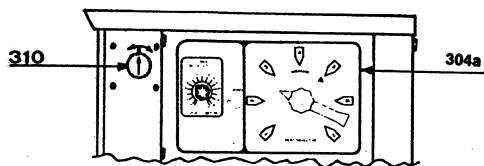


FIG. 1B

SHOWING LOCATION OF PRESSURE SWITCH ON 30 & 40 KVA MODELS.

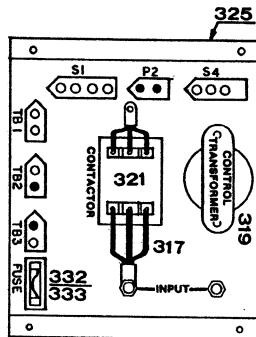


FIG. 2D INSTRUMENT PANEL CT/AO.

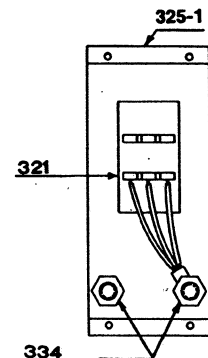
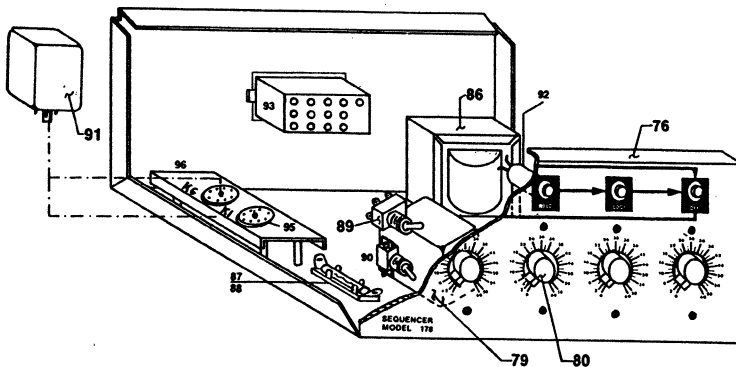


FIG. 2C

SEQUENCER STYLE "178-A" FOR FA MODELS



ITEM #	PART NO.	DESCRIPTION
75	11065	ASSY SEQUENCER
76	11086	CASE FRONT, BOTTOM AND REAR
77	11067	CASE TOP AND SIDES
78	A1345	ELECTRONIC TIMERS ET 76
80	A1345-A	TIMER KNOB
82	A1345-B	TIMER SHELL (FIBRE TUBE)
86		CONTROL X-FORMER
87	153-2430	FUSE HOLDER
88	153-2504	FUSE 1.0 AMP
89	151-7306	SWITCH (Operate/Test) DP.D.T.
90	151-7225	SWITCH (Repeat/Non-Repeat) SP. ST.
91	153-6714	RELAY, DP.D.T. (Plug-in Type)
92	151-4502	INDICATOR LAMPS
93	155-1003	TERMINAL BLOCK 15 PIN.
94	10965	TIMER MOUNTING BRACKETS
95	155-1032	SOCKET, 8 Pin Female
96	11076	RELAY, MOUNTING BRACKET

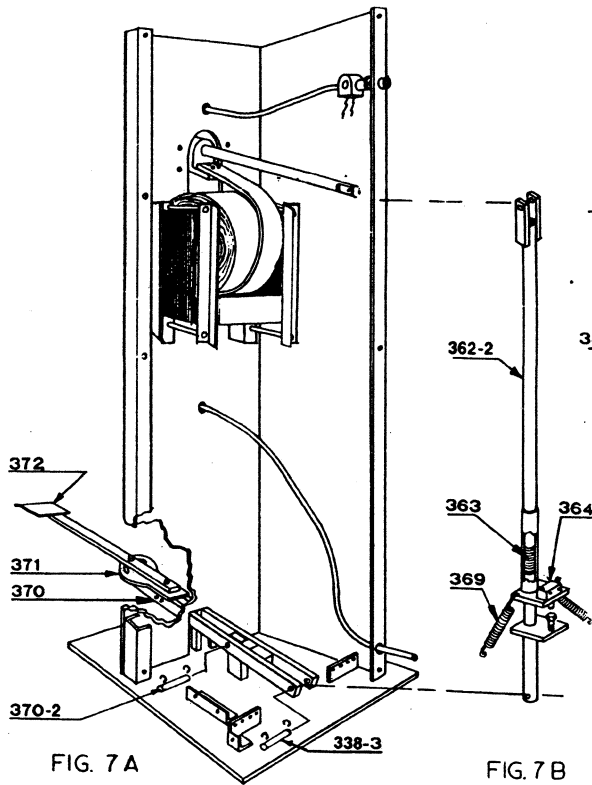


FIG. 7 A

FIG. 7 B

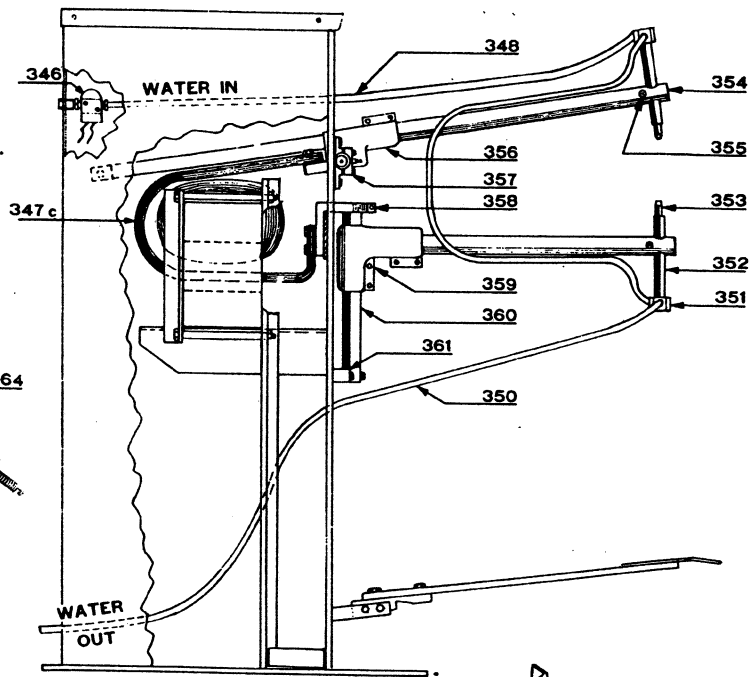


FIG. 4

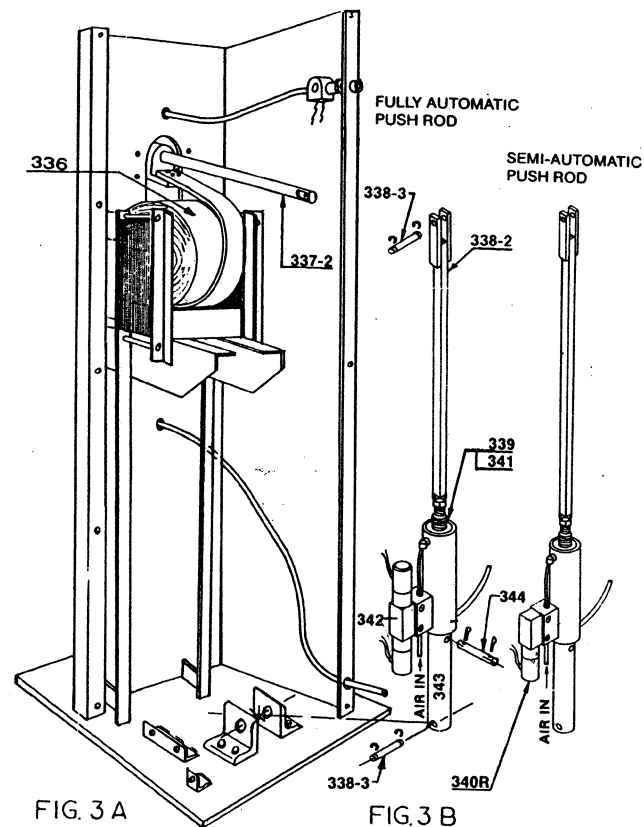
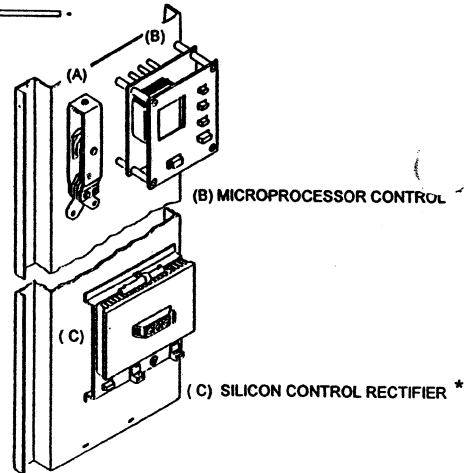


FIG. 3 A

FIG. 3 B

(A) TWO-STAGE HEATSWITCH *



(B) MICROPROCESSOR CONTROL

(C) SILICON CONTROL RECTIFIER *

WHEN ORDERING PARTS, ALWAYS STATE MODEL OF UNIT, STYLE OF UNIT, AND SERIAL NUMBER

I.E. MODEL 15 KVA, CT (FOOT OPERATED) . SERIAL NO.
 MODEL 15 KVA, SA (SEMI AUTOMATIC) . SERIAL NO.
 MODEL 15 KVA, FA (FULLY AUTOMATIC) . SERIAL NO.

REFER TO PARTS PRICE SHEET FOR PROPER PART NUMBERS, DESCRIPTION, AND PRICES

I.E. ITEM #309, PART NO. A1345 ELECTRONIC TIMER, ET 76

* CONTACT YOUR DISTRIBUTOR FOR INFORMATION

PARTS PICTORIAL
 10 15 30 40 50 KVA SPOT WELDERS
 165 SERIES

WA-121.4/01



WESTERN ARCTRONICS

1828 LA PORTE AVENUE
P.O. BOX 1306, FORT COLLINS, CO 80522

PARTS LIST MODEL 15 KVA SPOT WELDERS

CAT #	ITEM	PART #	DESCRIPTION	CT	SA	FA
0900-E	301a	15374	KNOB, HEAT CONTROL SWITCH	CT	SA	FA
0929-E	302a	10915-1	COVER PLATE	CT	SA	FA
0931-E	303a	29165	5 POSITION HEAT RANGE SWITCH	CT	SA	FA
0908-E	306	151-7308	TEST/OPERATE SWITCH	CT	SA	FA
0909-E	307	151-4514	PILOT LIGHT	CT	SA	FA
0911-E	309	153-6711	ELECTRONIC TIMER	CT	SA	
1062-E	310	151-7386	AIR PRESSURE SWITCH		SA	FA
1421-E	310	148-4335	KNOB, AIR PRESSURE SWITCH		SA	FA
0914-E	311	A1302	AIR HOSE (CYLINDER-PRESSURE SWITCH)		SA	FA
0916-E	312a	148-6720	AIR FILTER/REGULATOR-LUBRICATOR		SA	FA
0917-E	313	A1301	AIR HOSE (AIR F/R AIR VALVE)		SA	FA
0918-E	314	148-6719-2	AIR PRESSURE GAUGE		SA	FA
0922-E	315	10899	SPECIFICATION DECAL	CT	SA	FA
1078-E	316	10833	LEAD CABLE	CT	SA	FA
0924-E	317	10832	WIRE SET, CONTACTOR	CT	SA	FA
0926-E	319	153-7900	CONTROL TRANSFORMER 230V	CT	SA	FA
0927-E	319a	153-7940	CONTROL TRANSFORMER 460V	CT	SA	FA
0933-E	321	151-1005	CONTACTOR (3 POLE)	CT	SA	FA
1170-E	321	151-2005	SCR	CT	SA	FA
1165-E	321	153-6714	RELAY, (DP/ST) PLUG IN TYPE	CT	SA	FA
1167-E	321	155-3212	RECEPTACLE SOCKET	CT	SA	FA
1174-E	321	151-6716	AM-8 FIRING MODULE	CT	SA	FA
1175-E	321	151-6717	VARISTOR (CKE 2550LA 40A-2P)	CT	SA	FA
0945-E	332	153-2430	FUSE HOLDER	CT	SA	FA
0946-E	333	153-2504	FUSE 1.0 AMP	CT	SA	FA
1080-E	336b	10850	TRANSFORMER (CORE W/PRI COIL)	CT	SA	FA
1081-E	337-2	10881	ROCKER ARM LEVER	CT	SA	FA
1067-E	338-2	10882	PUSHROD		SA	FA
1068-E	338-3	10887	PIN (1/2" DIA.) W/TRUARC RINGS	CT	SA	FA
1069-E	339A	148-1000-A	AIR CYLINDER W/VALVE (MAC)		SA	
1070-E	340-R	148-1005-A	AIR VALVE (MAC)		SA	
1071-E	341-A	148-1010-A	AIR CYLINDER W/VALVE (MAC)			FA
0963-E	342	148-1006-A	AIR VALVE (MAC)			FA
0964-E	342	148-1302	COIL FOR AIR VALVE		SA	FA
0965-E	339	148-1001	AIR CYLINDER 2"		SA	FA
1072-E	343	10987	SUPPORT TUBE, AIR CYLINDER		SA	FA
1073-E	344	10986	PIN, CYLINDER MTG (5/16" DIA.)		SA	FA
0968-E	346	148-8110	WATER VALVE	CT	SA	FA
0974-E	347b	10858	SECONDARY COIL (COPPER STRAPS)	CT	SA	FA
0980-E	348	142-8510a	WATER HOSE, UPPER	CT	SA	FA
0981-E	349	142-8510b	WATER HOSE, CENTER	CT	SA	FA
0982-E	350	142-8510c	WATER HOSE, LOWER	CT	SA	FA

PLEASE NOT: MINIMUM ORDER \$25.00



PARTS LIST-
MODEL 15 KVA SPOT WELDERS

CAT #	ITEM	PART #	DESCRIPTION	CT	SA	FA
	351		WATER HEAD ASSEMBLY	CT	SA	FA
	352		TIP HOLDER	CT	SA	FA
	353		ELECTRODE TIPS	CT	SA	FA
	354		ARM, UPPER AND LOWER	CT	SA	FA
	355		LOCK ASSEMBLY	CT	SA	FA
0986-E	356a	C803	ROCKER ARM CASTING	CT	SA	FA
0989-E	357a	148-0502	PILLOW BLOCK	CT	SA	FA
0994-E	358a	B970E	COIL CONNECTOR CASTING	CT	SA	FA
0957-E		10844	INSULATOR PLATE	CT	SA	FA
0959-E		148-7206	BUSHING, NYLON	CT	SA	FA
0960-E		134-09966	WASHER, NYLON	CT	SA	FA
1000-E	359a	C782	STATIONARY CASTING	CT	SA	FA
1004-E	360a	A1291	VERTICAL ARM	CT	SA	FA
1007-E	361a	A1290	SUPPORT, LOWER (VERTICAL ARM)	CT	SA	FA
1082-E	362-2	10885	PUSHROD ASSEMBLY	CT		
1011-E	363	148-7304	SPRING, COMPRESSION	CT		
1012-E	364	151-7304	SWITCH, MICRO	CT		
1020-E	369	148-7306	SPRING EXTENSION 72559 (2)	CT		
1024-E	370b	10836	ACTUATING LEVER	CT		
1026-E	371	B774	SWIVEL CASTING	CT		
1028-E	372	A975	FOOT PEDAL ASSEMBLY	CT		
1033-E	375	151-7311	FOOT SWITCH, COMBINATION (DP/DT)		SA	FA
1077-E	375	10792	CORDSET (18-6X6' W/6 BLADE PLUG)		SA	FA
1098-E	375	10793	CORDSET (18-6X6') AFTER SER #FH709		SA	FA

SEQUENCER PARTS

1150-E	75	11085	ASSEMBLY SEQUENCER STYLE "178"			
1151-E	76	11086	CASE FRONT, BOTTOM AND REAR			
1152-E	77	11087	CASE TOP AND SIDES			
1153-E	78	11083	TERMINAL BOARD W/TERMINALS			
0911-E	79	153-6711	ELECTRONIC TIMER			
0926-E	86	153-7900	CONTROL TRANSFORMER 230/115V			
0927-E	86	153-7940	CONTROL TRANSFORMER 460/115V			
0945-E	87	153-2430	FUSE HOLDER			
0946-E	88	153-2504	FUSE 1.0 AMP			
0908-E	89	151-7308	SWITCH, OPERATE/TEST (DP/DT)			
1164-E	90	151-7385	SWITCH, REPEAT/NON-REPEAT (SP/ST)			
1165-E	91	153-6714	RELAY, (DP/ST) PLUG IN TYPE			
0909-E	92	151-4514	INDICATOR LAMPS			