



# 140 MIG WELDER OPERATING MANUAL



## FEATURES:

- Welding range up to 140 Amps / 120V Input
- Can be used for Mild Steel, Stainless Steel, Aluminum and Cast Iron
- Large cabinet with easy access to spools
- Metallic heavy-duty wire drive system
- Torch/Cable wrap
- Premium MIG torch with Euro disconnect and Tweco® style consumables

## IDEAL FOR:

Do-It-Yourself, Agriculture, Maintenance & Repair, Contractor, Automotive, Metal Fabrication Hobbyist and More...

## INCLUDES:

Welding Torch, Ground Clamp, Power Cable, Gas Hose and Regulator

ENGLISH



WELDING IN AMERICA.  
SINCE THE BEGINNING.



5/3/1  
WARRANTY  
CAT# 309

REV 04.12.17



#### FIVE WAYS TO ORDER

**Web:** [www.forneyind.com](http://www.forneyind.com)

**Phone:** 800-521-6038

**Fax:** 970-498-9505

**Mail:** Forney Industries  
2057 Vermont Drive  
Fort Collins, CO 80525

**Email:** [sales@forneyind.com](mailto:sales@forneyind.com)

#### U.S. Warehouses:

- Fort Collins, CO
- Tipp City, OH

## Forney Promise

We are committed to your success regardless of location, size or needs. We understand it is your goal to get the job done right, and we are ready to help you do just that.

## President's Message

We market the highest quality tools, equipment and accessories for the do-it-yourselfer and professional. Our passion and dedication in bringing new products to the industrial and retail market, combined with our personal service, is unmatched in our industry. Our ability to listen to our customers' needs enables us to create solutions to their problems.

Our dedication to the highest quality customer service within our corporate headquarters and the service provided in the field is unequalled. We are committed to creating the best solutions to our customer's needs. Above all, our employees will provide the same respect and caring attitude within the organization as they are expected to share with every Forney customer. Our goal will be to exceed our customers' expectations through empowered people, guided by shared values and commitments.

We work hard so our customers trust us because of our integrity, teamwork and innovation of Forney products, and Forney's 80 years of unmatched product quality and an unwavering commitment to our customers.

When our customers succeed we succeed.



STEVEN G. ANDERSON, President & CEO

Copyright© 2014 Forney Industries, Inc. All rights reserved. Unauthorized reproduction and/or distribution is subject to US copyright laws.

# **STOP!**

## **PLEASE DO NOT RETURN TO THE STORE**

If you have questions or problems with your new plasma cutter,  
please call customer service at **1-800-521-6038**  
Monday through Friday from 7 a.m. - 5 p.m. (MST) or at  
[www.forneyind.com/about-us/contact-us](http://www.forneyind.com/about-us/contact-us).

Please take time to register your product at  
[www.forneyind.com/support/product-registration](http://www.forneyind.com/support/product-registration).

Thank you and enjoy your new welder.

**For the most up-to-date  
warranty information,  
visit [www.forneyind.com](http://www.forneyind.com)**

### CAUTION!

BEFORE INSTALLING, OPERATING OR CARRYING OUT MAINTENANCE ON THE MACHINE, READ THE CONTENTS OF THIS MANUAL CAREFULLY, PAYING PARTICULAR ATTENTION TO THE SAFETY RULES AND HAZARDS.

In the event of these instructions not being clear, please contact your Forney Authorized Dealer or Forney Customer Service 1-800-521-6038

## Safety Information

### Principal Safety Standards

- Safety in Welding and Cutting, ANSI Standard Z49.1, from American Welding Society, 8669 Doral Boulevard, Suite 130, Doral, FL 33166 Safety and Health Standards, OSHA 29 CFR 1910, from Superintendent of Documents, U.S. Government Printing Office, Washington, D.C. 20402.
- Recommended Safe Practices for the Preparation for Welding and Cutting of Containers That Have Held Hazardous Substances, American Welding Society Standard AWS F4.1, from American Welding Society, 8669 Doral Boulevard, Suite 130, Doral, FL 33166
- National Electrical Code, NFPA Standard 70, from National Fire Protection Association, Batterymarch Park, Quincy, MA 02269.
- Safe Handling of Compressed Gases in Cylinders, CGA Pamphlet P-1, from Compressed Gas Association, 1235 Jefferson Davis Highway, Suite 501, Arlington, VA 22202.
- Code for Safety in Welding and Cutting, CSA Standard W117.2, from Canadian Standards Association, Standards Sales, 178 Rexdale Boulevard, Rexdale, Ontario, Canada M9W 1R3.
- Safe Practices For Occupation And Educational Eye And Face Protection, ANSI Standard Z87.1, from American National Standards Institute, 1430 Broadway, New York, NY 10018.
- Cutting And Welding Processes, NFPA Standard 51B, from National Fire Protection Association, Batterymarch Park, Quincy, MA 02269

### California Proposition 65 Warning

**⚠ WARNING:** This product can expose you to chemicals including lead, which are known to the State of California to cause cancer and birth defects or other reproductive harm. For more information go to [www.P65Warnings.ca.gov](http://www.P65Warnings.ca.gov). P65 details at [forneyind.com](http://forneyind.com). Wash hands after use.

### EMF Information

Welding or cutting current, as it flows through the welding or cutting cables, will cause electromagnetic fields. There has been and still is some concern about such fields. However, after examination the committee of the National Research Council concluded that: "The body of evidence, in the committee's judgment, has not demonstrated that exposure to power-frequency electric and a magnetic field is a human health hazard." However, studies are still going forth and evidence continues to be examined. Until the final conclusions of the research are reached, you may wish to minimize your exposure to electromagnetic fields when welding or cutting.

To reduce magnetic fields in the workplace, use the following procedures:

1. Keep cables close together by twisting or taping them.
2. Arrange cables to one side and away from the operator.
3. Do not coil or drape cables around your body.
4. Keep welding or cutting power source and cables as far away from operator as practical.
5. Connect work clamp to work piece as close to the cut or weld as possible.

### ABOUT PACEMAKERS & HEARING AIDS:

Pacemaker & Hearing Aid wearers consult your doctor first. If cleared by your doctor, then following the above procedures is recommended.

## Personal Protection

Welding processes of any kind can be dangerous not only to the operator but to any person situated near the equipment, if safety and operating rules are not strictly observed.



### **THE WELDING ARC PRODUCES VERY BRIGHT ULTRAVIOLET AND INFRARED LIGHT. THESE ARC RAYS WILL DAMAGE YOUR EYES AND BURN YOUR SKIN IF YOU ARE NOT PROPERLY PROTECTED.**

To reduce the risk of injury from arc rays, read, understand, and follow the safety instructions. In addition, make certain that anyone else that uses this welding equipment, or is a bystander in the welding area understands and follows these safety instructions as well. Helmets and filter should conform to ANSI Z87.1 standards.

- Do not look at an electric arc without proper protection. A welding arc is extremely bright and intense and, with inadequate or no eye protection, the retina can be burned, leaving a permanent dark spot in the field of vision. A shield or helmet with a #10 shade filter lens (minimum) must be used.
- Do not strike a welding arc until all bystanders and you (the welder) have welding shields and/or helmets in place.
- Do not wear a cracked or broken helmet and replace any cracked or broken filter lenses immediately.
- Do not allow the uninsulated portion of the wire feed gun to touch the ground clamp or grounded work to prevent an arc flash from being created on contact.
- Provide bystanders with shields or helmets fitted with an appropriate shade filter lens.
- Wear protective clothing. The intense light of the welding arc can burn the skin in much the same way as the sun, even through light-weight clothing. Wear dark clothing of heavy material. The shirt worn should be long sleeved and the collar kept buttoned to protect chest and neck.
- Protect against reflected arc rays. Arc rays can be reflected off shiny surfaces such as a glossy painted surface, aluminum, stainless steel, and glass. It is possible for your eyes to be injured by reflected arc rays even when wearing a protective helmet or shield. If welding with a reflective surface behind you, arc rays can bounce off the surface and off the filter lens. It can get inside your helmet or shield and into your eyes. If a reflective background exists in your welding area, either remove it or cover it with something non-flammable and non-reflective. Reflective arc rays can also cause skin burn in addition to eye injury.
- Flying sparks can injure. Wear proper safety equipment to protect eyes and face. Shape tungsten electrode on grinder wearing proper protection and in a safe location. Keep flammables away and prevent fire from flying sparks.



### **FUMES, GASSES, AND VAPORS CAN CAUSE DISCOMFORT, ILLNESS, AND**

**DEATH!** To reduce the risk, read, understand, and follow the safety instructions. In addition, make certain that anyone else that uses this welding equipment or is a bystander in the welding area, understands and follows these safety instructions as well.

- Read and understand manufacturers SDS and MSDS.
- Do not weld in an area until it is checked for adequate ventilation as described in ANSI standard Z49.1. If ventilation is not adequate to exchange all fumes and gasses generated during the welding process with fresh air, do not weld unless you (the welder) and all bystanders are wearing air-supplied respirators.
- Do not heat metals coated with, or that contain, materials that produce toxic fumes (such as galvanized steel), unless the coating is removed. Make certain the area is well ventilated, and the operator and all bystanders are wearing air-supplied respirators.
- Do not weld, cut or heat lead, zinc, cadmium, mercury, beryllium, antimony, cobalt, manganese, selenium, arsenic, copper, silver, barium, chromium, vanadium, nickel, or similar metals without seeking professional advice and inspection of the ventilation of the welding

area. These metals produce extremely toxic fumes which can cause discomfort, illness and death.

- Do not weld or cut in areas that are near chlorinated solvents. Vapors from chlorinated hydrocarbons, such as trichloroethylene and perchloroethylene, can be decomposed by the heat of an electric arc or its ultraviolet radiation. These actions can cause phosgene, a highly toxic gas, to form, along with other lung and eye-irritating gasses. Do not weld or cut where these solvent vapors can be drawn into the work area or where the ultraviolet radiation can penetrate to areas containing even very small amounts of these vapors.
- Do not weld in a confined area unless it is being ventilated or the operator (and anyone else in the area) is wearing an air-supplied respirator.
- Stop welding if you develop momentary eye, nose, or throat irritation as this indicates inadequate ventilation. Stop work and take necessary steps to improve ventilation in the welding area. Do not resume welding if physical discomfort persists.

## Fire Prevention



### **FIRE OR EXPLOSION CAN CAUSE DEATH, INJURY, AND PROPERTY DAMAGE!**

To reduce these risks, read, understand and follow the safety instructions. In addition, make certain that anyone else that uses this welding equipment, or is a bystander in the welding area, understands and follows these safety instructions as well. Remember: arc welding by nature produces sparks, hot spatter, molten metal drops, hot slag and hot metal parts that can start fires, burn skin and damage eyes.

- Do not wear gloves or other clothing that contains oil, grease, or other flammable substances.
- Do not wear flammable hair preparations.
- Do not touch the hot weld bead or weld puddle until fully cooled.
- Do not weld in an area until it is checked and cleared of combustible and/or flammable materials. Be aware that sparks and slag can fly 35 feet and can pass through small cracks and openings. If work and combustibles cannot be separated by a minimum of 35 feet, protect against ignition with suitable, snug-fitting, fire resistant, covers or shields.
- Do not weld on walls until checking for and removing combustibles touching the other side of the walls.
- Do not weld, cut, or perform other such work on used barrels, drums, tanks, or other containers that had a flammable or toxic substance. The techniques for removing flammable substance and vapors, to make a used container safe for welding or cutting, are quite complex and require special education and training.
- Do not strike an arc on a compressed gas or air cylinder. Doing so will create a brittle area that can result in a violent rupture immediately or at a later time as a result of rough handling.
- Do not weld or cut in an area where the air may contain flammable dust (such as grain dust), gas, or liquid vapors (such as gasoline).
- Do not handle hot metal, such as the work piece or electrode stubs, with bare hands.
- Wear leather gloves, heavy long sleeve shirt, cuffless pants, high-topped shoes, helmet, and cap. As necessary, use additional protective clothing such as leather jacket or sleeves, fire resistant leggings, or apron. Hot sparks or metal can lodge in rolled up sleeves, pant cuffs, or pockets. Sleeves and collars should be kept buttoned and pockets eliminated from the shirt front.
- Have fire extinguisher equipment handy for immediate use. A portable chemical fire extinguisher, type ABC, is recommended.
- Wear ear plugs when welding overhead to prevent spatter or slag from falling into ear.
- Make sure welding area has a good, solid, safe floor, preferably concrete or masonry, not tiled, carpeted, or made of any other flammable material.
- Protect flammable walls, ceilings, and floors with heat resistant covers or shields.



- Check welding area to make sure it is free of sparks, glowing metal or slag, and flames before leaving the welding area.
- Wear garments free of oil or other flammable substances such as leather gloves, thick cotton shirts with no synthetic materials, cuffless trousers, closed toed shoes. Keep long hair pulled back.
- Remove any combustibles such as lighters and matches before doing any welding.
- Follow requirements in OSHA and NFPA for hot work and have an extinguisher nearby.

## High Frequency Radiation

- High Frequency (H.F) can interfere with radio navigation, safety services, computers and communication equipment.
- It is the user's responsibility to have a qualified electrician promptly correct any interference problem resulting from the installation. Electrician should regularly check and maintain installation.
- Stop using the equipment if notified by the FCC about interference.
- Keep H.F. source doors and panels tightly shut and keep spark gaps at correct setting.

## Arc Welding

- Computers and computer driven equipment can be harmed with electromagnetic energy.
- Be sure all equipment is compatible with electromagnetic energy.
- Keep welding cables short to reduce interference.
- Follow manual to install and ground machine.
- If interference continues, shield the work area or move the welding machine.

## Electric Shock



**WARNING: ELECTRIC SHOCK CAN KILL!** To reduce the risk of death or serious injury from shock, read, understand, and follow the safety instructions. In addition, make certain that anyone else who uses this welding equipment, or who is a bystander in the welding area understands and follows these safety instructions as well.

**IMPORTANT! TO REDUCE THE RISK OF DEATH, INJURY, OR PROPERTY DAMAGE, DO NOT ATTEMPT OPERATION** of this welding equipment until you have read and understand the following safety summary.

- Do not, in any manner, come into physical contact with any part of the welding current circuit. The welding current circuit includes:
  - a. the work piece or any conductive material in contact with it,
  - b. the ground clamp,
  - c. the electrode or welding wire,
  - d. any metal parts on the electrode holder, or wire feed gun.
- Do not weld in a damp area or come in contact with a moist or wet surface.
- Do not attempt to weld if any part of clothing or body is wet.
- Do not allow the welding equipment to come in contact with water or moisture.
- Do not drag welding cables, wire feed gun, or welder power cord through or allow them to come into contact with water or moisture.
- Do not touch welder, attempt to turn welder on or off if any part of the body or clothing is moist or if you are in physical contact with water or moisture.
- Do not attempt to plug the welder into the power source if any part of body or clothing is moist, or if you are in physical contact with water or moisture.
- Do not connect welder work piece clamp to or weld on electrical conduit.

- Do not alter power cord or power cord plug in any way.
- Do not attempt to plug the welder into the power source if the ground prong on power cord plug is bent over, broken off, or missing.
- Do not allow the welder to be connected to the power source or attempt to weld if the welder, welding cables, welding site, or welder power cord are exposed to any form of atmospheric precipitation, or salt water spray.
- Do not carry coiled welding cables around shoulders, or any other part of the body, when they are plugged into the welder.
- Do not modify any wiring, ground connections, switches, or fuses in this welding equipment.
- Wear welding gloves to help insulate hands from welding circuit.
- Keep all liquid containers far enough away from the welder and work area so that if spilled, the liquid cannot possibly come in contact with any part of the welder or electrical welding circuit.
- Replace any cracked or damaged parts that are insulated or act as insulators such as welding cables, power cord, or electrode holder immediately.
- When not welding, cut wire back to contact tip or remove electrode from electrode holder.

## Noise



Noise can cause permanent hearing loss. Welding processes can cause noise levels that exceed safe limits. You must protect your ears from loud noise to prevent permanent loss of hearing.

- To protect your hearing from loud noise, wear protective ear plugs and/or ear muffs.
- Noise levels should be measured to be sure the decibels (sound) do not exceed safe levels.

## Additional Safety Information

For additional information concerning welding safety, refer to the following standards and comply with them as applicable.

- ANSI Standard Z49.1 - SAFETY IN WELDING AND CUTTING - obtainable from the American Welding Society, 550 NW Le Jeune Road, Miami, FL 33126 Telephone (800) 443-9353, Fax (305) 443-7559 - [www.amweld.org](http://www.amweld.org) or [www.aws.org](http://www.aws.org)
- ANSI Standard Z87.1 - SAFE PRACTICE FOR OCCUPATION AND EDUCATIONAL EYE AND FACE PROTECTION - obtainable from the American National Standards Institute, 11 West 42nd St., New York, NY 10036 Telephone (212) 642A900, Fax (212) 398-0023 - [www.ansi.org](http://www.ansi.org)
- NFPA Standard 518 - CUTTING AND WELDING PROCESS - obtainable from the National Fire Protection Association, 1 Batterymarch Park, P.O. Box 9101, Quincy, MA 02269-9101 Telephone (617) 770-3000 Fax (617) 770-0700 - [www.nfpa.org](http://www.nfpa.org)
- OSHA Standard 29 CFR, Part 1910, Subpart Q., WELDING, CUTTING AND BRAZING - obtainable from your state OSHA office or U.S. Dept. of Labor OSHA, Office of Public Affairs, Room N3647, 200 Constitution Ave., Washington, DC 20210 - [www.osha.gov](http://www.osha.gov)
- CSA Standard W117.2 - Code for SAFE TY IN WELDING AND CUTTING. - obtainable from Canadian Standards Association, 178 Rexdale Blvd., Etobicoke, Ontario M9W 1R3 - [www.csa.ca](http://www.csa.ca)
- American Welding Society Standard A6.0. WELDING AND CUTTING CONTAINERS WHICH HAVE HELD COMBUSTIBLES. - obtainable from the American Welding Society, 550 NW Le Jeune Road, Miami, FL 33126 Telephone (800) 443-9353, Fax (305) 443-7559 - [www.amweld.org](http://www.amweld.org) or [www.aws.org](http://www.aws.org)



# Table of Contents

<b>WARRANTY</b> .....	<b>3</b>
<b>SAFETY SUMMARY</b> .....	<b>4</b>
PRINCIPAL SAFETY STANDARDS .....	4
CALIFORNIA PROPOSITION 65 WARNING.....	4
EMF INFORMATION.....	4
PERSONAL PROTECTION .....	5
FIRE PREVENTION.....	6
HIGH FREQUENCY RADIATION .....	7
ARC WELDING .....	7
ELECTRIC SHOCK.....	7
NOISE.....	8
ADDITIONAL SAFETY INFORMATION .....	8
<b>TABLE OF CONTENTS</b> .....	<b>9</b>
<b>INSTALLATION</b> .....	<b>10</b>
WELDER SPECIFICATIONS .....	10
SITE SELECTION .....	10
POWER SOURCE CONNECTION .....	10
VENTILATION .....	10
ADDITIONAL WARNINGS .....	11
<b>ASSEMBLY</b> .....	<b>11</b>
TORCH CONNECTION .....	11
GAS CYLINDER AND REGULATOR CONNECTION .....	11
SHIELDING GAS GUIDE .....	12
WIRE LOADING.....	12
REPLACING THE WIRE LINER .....	13
HOW TO CHOOSE THE WIRE LINER FOR DIRECT AND EURO CONNECT TORCHES .....	13
FLUXCORE WIRE WELDING (FCAW).....	13
MIG WELDING (GMAW).....	13
MIG WELDING (GMAW) WELDING SETTING CHART .....	14
<b>OPERATION</b> .....	<b>15</b>
DESCRIPTION .....	15
WELDER CONTROLS.....	15
THERMAL OVERLOAD PROTECTION.....	15
TECHNICAL DATA INFORMATION GUIDE .....	16
WELDING PREPARATION .....	16
FACTORS TO CONSIDER FOR BEST WELDING RESULTS .....	16
ALUMINUM WELDING.....	17
<b>MAINTENANCE &amp; SERVICING</b> .....	<b>17</b>
GENERAL MAINTENANCE .....	17
<b>TROUBLESHOOTING</b> .....	<b>18</b>
<b>WIRING DIAGRAM</b> .....	<b>20</b>
<b>TOOLS AND SPARE PARTS LIST</b> .....	<b>21</b>
<b>PARTS DIAGRAM</b> .....	<b>22</b>
<b>MIG GUN TORCH SPARE PARTS LIST</b> .....	<b>23</b>
<b>USER NOTES</b> .....	<b>24</b>

# Installation

## Welder Specifications

**Table 1.** Welder Specifications

Primary (input) volts	120 VAC
Welding Output	140A maximum
Phase	Single
Frequency	60Hz
Rated Duty Cycle	20%
Wire Diameter Range:	Up to 0.030"

## Site Selection



### **BE SURE TO LOCATE THE WELDER ACCORDING TO THE FOLLOWING GUIDELINES:**

- In areas free from moisture and dust;
- In areas with ambient temperature between 30° to 90°F;
- In areas free from oil, steam and corrosive gases;
- In areas not subjected to abnormal vibration or shock;
- In areas not exposed to direct sunlight or rain;
- Place at a distance of 12" or more from walls or similar obstructions that could restrict natural air flow for cooling.

## Power Source Connection

Before you make any electrical connection, make sure that supply voltage and frequency available at site are those stated in the ratings label of your welder.

The main supply voltage should be within  $\pm 10\%$  of the rated main supply voltage. Too low a voltage may cause poor welding performance. Too high a supply voltage will cause components to overheat and possibly fail. The welder outlet must be:

- Correctly installed, if necessary, by a qualified electrician;
- Correctly grounded (electrically) in accordance with local regulations;
- Connected to the correct size electric circuit.

### **NOTE:**

- Periodically inspect supply cable for any cracks or exposed wires. If it is not in good condition, have it repaired by a Service Center.
- Do not violently pull the input power cable to disconnect it from supply outlet.
- Do not lay material or tools on the power supply cable. The cable may be damaged and result in electrical shock.
- Keep the supply cable away from heat sources, oils, solvents or sharp edges.
- If you use an extension cord, keep it as straight as possible. Use 10 AWG.

## Ventilation

Since the inhalation of welding fumes can be harmful, ensure that the welding area is effectively ventilated.

## Additional Warnings

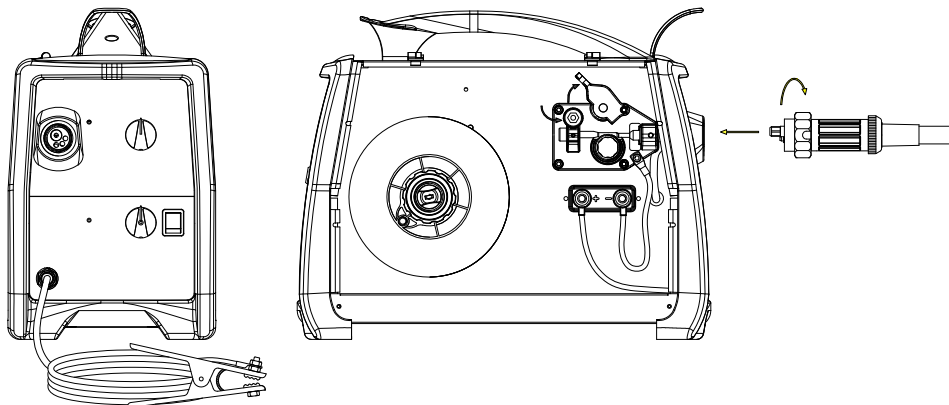
### FOR YOUR SAFETY, BEFORE CONNECTING THE POWER SOURCE TO THE LINE CLOSELY FOLLOW THESE INSTRUCTIONS:

- An adequate two-pole switch must be inserted before the main outlet. This switch must be equipped with time-delay fuses.
- The ground connection must be made with a two-pole plug compatible with the above mentioned socket.
- When working in a confined space, the welder must be kept outside the welding area and the ground cable should be fixed to the workpiece. Never work in a damp or wet confined space.
- Do not use damaged input or welding cables.
- The welding torch should never be pointed at the operator or other people.
- The welder must never be operated without its panels attached. This could cause serious injury to the operator and could damage the equipment.

## Assembly

### Torch Connection

Connect the standard MIG torch to the threaded connector on the front of the welder and tighten firmly by hand.



### Gas Cylinder and Regulator Connection

The gas cylinder (not supplied) should be located at the rear of the welder, in a well-ventilated area and securely fixed to the work bench or to the wall to ensure that it will not fall.

For safety and economy, ensure that the regulator is fully closed (turned counter-clockwise) when not welding and when fitting or removing the gas cylinder.

- Turn the regulator adjustment knob counter-clockwise to ensure the valve is fully closed.
- Screw the gas regulator down on the gas bottle valve and tighten.
- Connect the gas hose to the regulator, securing with the clip/nut provided.
- Open the cylinder valve, then set the gas flow to approximately 20 - 35 CFH (cubic ft. per hour) on the regulator.
- Operate the torch trigger to ensure that the gas is flowing through the torch.



**WARNING:** Cylinders are highly pressurized. Handle with care. Serious accidents can result from improper handling or misuse of compressed gas cylinders. Do not drop the cylinder, knock it over, expose it to excessive heat, flames or sparks. Do not strike it against other cylinders.

## Shielding Gas Guide

METAL	GAS	NOTE
Mild Steel	CO2 Argon + CO2 Argon + CO2 + Oxygen	Argon controls spatter Oxygen improves arc stability
Aluminum	Argon Argon + Helium	Arc stability, good fusion and minimum splatter. Higher heat input suitable for heavy sections. Minimum porosity.
Stainless Steel	Argon + CO2 + Oxygen Argon + Oxygen	Arc stability. Minimum splatter.
Copper, Nickel & Alloys	Argon Argon + Helium	Suitable for light gauges because of low flowability of the weld pool. Higher heat input suitable for heavy sections.

## Wire Loading



**ENSURE THE GAS AND ELECTRICAL SUPPLIES ARE DISCONNECTED. BEFORE PROCEEDING, REMOVE THE NOZZLE AND THE CONTACT TIP FROM THE TORCH.**

- Open the side panel.
- Loosen the nut of the spool holder (brake drum) and remove the spring and the external ring. (Fig.4)
- Remove the plastic protection from the spool (4) and place the wire spool on the spool holder.
- Mount the external ring, the spring and the plastic lock nut again. These parts form the braking system of the wire spool speed. **NOTE:** Do not tighten the nut too much. Excessive pressure strains the wire feeding motor, while too little pressure does not allow the immediate stop of the wire spool at the end of the welding.
- Loosen and lower the plastic knob (A) (Fig.5). Open the pressure arm (B) of the feeder
- Disconnect the wire from the edge of the wire spool being careful to keep tension on the end of the wire. Cut off a short section of the end of the wire to insure a straight end. Insert the straight end into the wire inlet guide (C) past the wire feed roll and into the wire liner. Lower pressure arm (B) and lift pressure adjustment knob (A) into place. Connect the input power cord and turn on the welder. Press the torch trigger and observe the wire feeding into the torch liner. Adjust the pressure on the wire with knob (A) to insure smooth feeding without slippage. Do not over-tighten the pressure adjustment as it may damage the motor. Close the welder side panel. Remove the nozzle and contact tip from the welding torch. Straighten the torch cable to remove any coils or kinks. Squeeze and hold the torch trigger until the wire appears at the end of the torch neck. Turn off the welder and install the contact tip and nozzle.

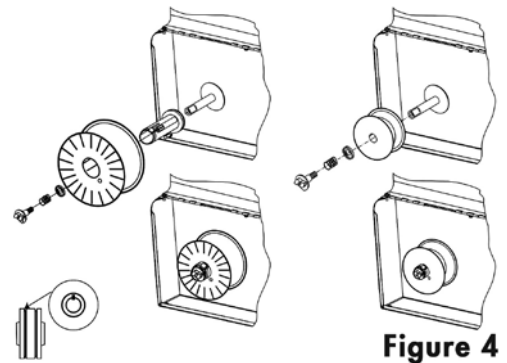


Figure 4

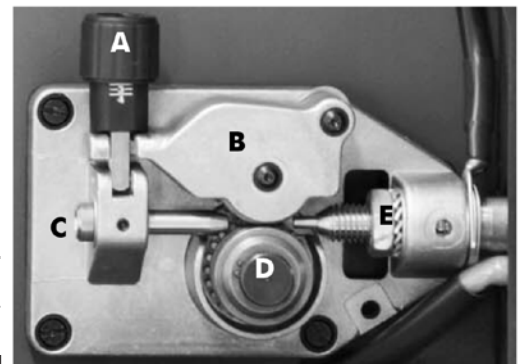


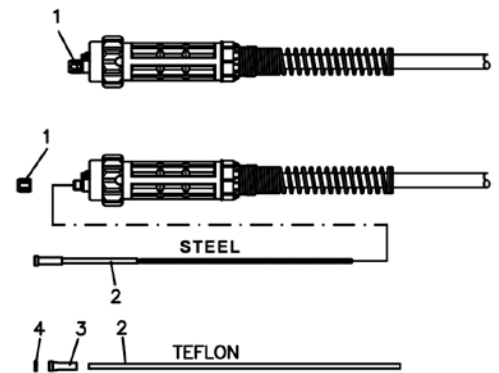
Figure 5

- WARNING:** Keep the torch straight. When feeding a new wire through the liner, make sure the wire is cut cleanly (no burrs or angles) and that at least 1" from the end is straight (no curves). Failure to follow these instructions could cause damage to the liner.
- WARNING:** When changing the wire diameter being used, or replacing the wire feed roll, be sure that the correct groove for the wire diameter selected is inside, closest to the machine. The wire is driven by the inside groove. Feed rolls are marked on the side identifying the groove nearest that side.
- WARNING:** To avoid injury, when loading wire and watching for it to come through the torch neck do not hold the torch close to your face. Instead, direct it towards the floor. Do not place fingers near the wire feed rolls when the wire feeder is operating.

## Replacing the Wire Liner

### **ENSURE THE GAS AND ELECTRICAL SUPPLIES ARE DISCONNECTED.**

- Disconnect the torch from the machine.
- Place it on a flat surface and carefully remove the brass nut (Fig. 6) (1).
- Pull the liner out of the hose.
- Install the new liner and mount the brass nut (Fig. 6) (1) again. In case you are replacing a Teflon wire liner, follow these instructions:
- Install the new liner followed by the collet (3).
- Insert the O ring (4) on the wire liner collet (4) and replace the brass nut (1).
- Cut the wire liner close to the brass nut. **NOTE:** The length of the new wire liner must be the same as the liner you have just pulled out of the hose.
- Connect the torch to the machine and install the wire into the feeding system.



**Figure 6**

## How to Choose the Wire Liner for Direct and Euro Connect Torches

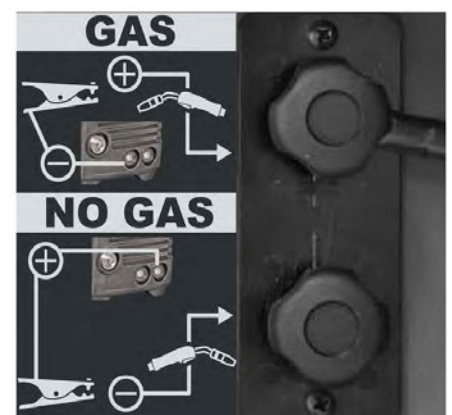
There are basically two types of wire liners: Steel and Teflon. Steel wire liners can be coated or non-coated. Coated wire liners are used for air-cooled torches. Teflon wire liners are recommended for aluminum welding as they allow smooth feeding of the wire.

### FluxCore Wire Welding (FCAW)

- Connect the ground cable to the positive terminal of the Polarity Change Board inside the spool compartment.
- Connect the working cable to the negative terminal of Polarity Change Board inside the spool compartment.

### MIG Welding (GMAW)

- Connect the ground cable to the negative terminal on the Polarity Change Board inside the spool compartment.
- Connect the working cable to the positive terminal of the Polarity Change Board inside the spool compartment.



**Figure 7**

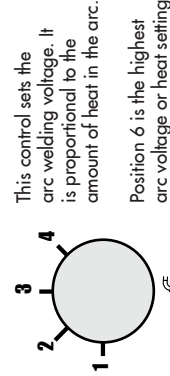
# MIG Welding (GMAW) Welding Setting Chart

## 140 MIG SET-UP CHART

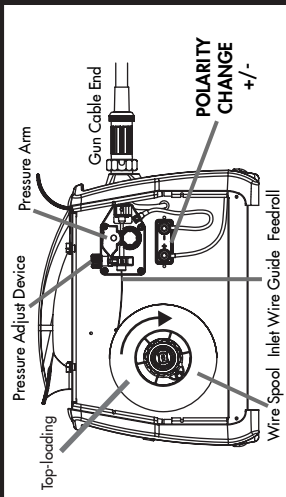
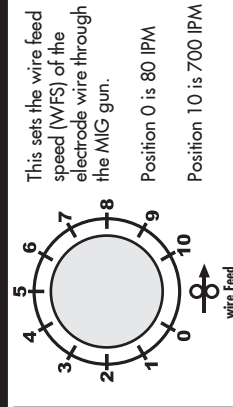
MATERIAL (Wire)	GAS	WIRE Ø	MATERIAL THICKNESS													
			24 Gauge .0236" (.6 mm)	22 Gauge .0315" (.8 mm)	20 Gauge .0354" (.9 mm)	18 Gauge .0236" (1.2 mm)	1/8" (3 mm)	3/16" (4.5 mm)	1/4" (6.4 mm)							
<b>Mild Steel</b>	Solid Wire 75% A + 25% CO <sub>2</sub> (ER70S-6)	.023" (0.6 mm)	1	3	1	3	2	7.5	2	7.5	3	8.5	4	9	-	-
			1	2	1	2	1	3.5	2	5.5	3	7	4	8	4	8
			-	-	-	-	2	3	2	4	3	6	4	8	4	8
	Flux Core Wire (No Gas) (E71T-GS)	.030" (0.8 mm)	1	2	1	2	1	3	2	5	4	8	4	9	4	9
			-	-	-	-	1	2	2	4	4	8	4	8.5	4	8.5
			1	3	1	3	1	3.5	2	6	3	8.5	4	9	-	-
<b>Stainless Steel</b>	Solid Wire 98% Ar 2% CO <sub>2</sub>	.030" (0.8 mm)	-	-	1	2	1	3.5	2	4	3	7	4	8	4	8
			-	-	-	-	1	3	1	3.5	2	4	3	7	4	8
			-	-	-	-	1	3	1	3.5	2	4	3	7	4	8

### Regulation Knob

### Arc Voltage Control



### Wire Speed Control



**WELDING IN AMERICA.**  
SINCE THE BEGINNING.

Forney Industries, Inc.  
www.forneyind.com



## Operation

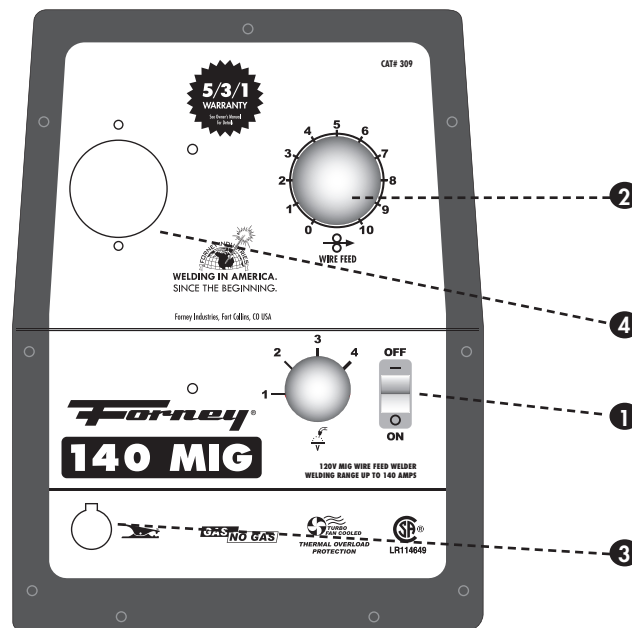
### Description

The Forney 140 MIG welder is designed for use on jobs involving maintenance and fabrication. It is ideal for applications such as farming, automotive, and repairs. This transformer-based machine is powered from standard 120V household current and produces 140 A output. The acceptable wire diameters for use on this machine include .024" and .030". The Forney 190 MIG and Forney 190 MP are capable of accepting wire diameters up to .035". The spool sizes compatible with this machine are 4" and 8" and should be loaded clockwise, so the wire feeds from the top into the wire feeding system. This machine can weld materials up to 1/4" thick.

Units may be used with the standard torch.

### Welder Controls

1. Main ON/OFF switch and welding voltage adjustment
2. Wire feed adjustment knob:  
To increase the wire speed, turn the potentiometer clockwise; to decrease the wire speed, turn it counter-clockwise. The same procedure decreases the values on the welding parameters. Turn knob slowly.
3. Ground Clamp
4. MIG Torch/Gun



### Thermal Overload Protection



**WARNING:** If the duty cycle of the welder is exceeded, a thermostat will automatically cut the power to prevent the machine from overheating. If this should happen do not unplug the machine while it cools down. The thermostat will automatically reset itself and you can continue welding. The thermostat is a protective safety device and no harm will normally be done to the welder unless it is frequently over-loaded, in which case it may eventually become damaged.

## Technical Data Information Guide

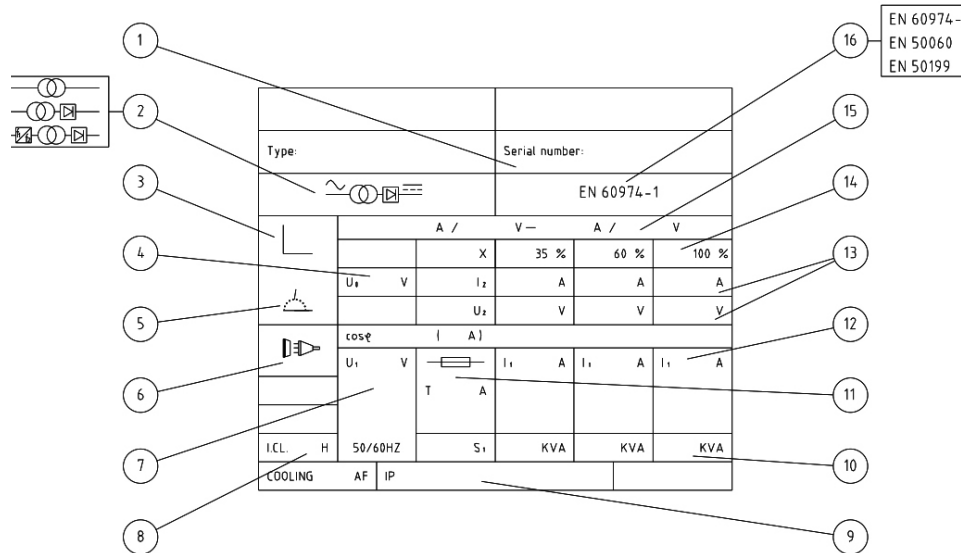


FIG. 15

- |   |                                       |
|---|---------------------------------------|
| 1. Serial number of the unit                    | 9. Protection degree                  |
| 2. Welder model                                 | 10. Power                             |
| 3. Type of characteristic                       | 11. Size of the necessary main fuse   |
| 4. Min. - Max rated No Load Voltage             | 12. Supply current                    |
| 5. Type of welding                              | 13. Welding supply and voltage        |
| 6. Symbol for the main supply and no. of phases | 14. Power Factor                      |
| 7. Rated value of the supply voltage            | 15. Control range (current / voltage) |
| 8. Code letter for degree of insulation         | 16. Reference standard                |

## Welding Preparation

- Attach the ground clamp to the bare metal to be welded, making sure of good contact;
- Make sure that the wire-roller groove in the roller corresponds to the diameter of the wire being used.
- Plug the machine into a suitable outlet.
- Completely open the gas cylinder valve. Adjust the gas pressure regulator to the correct flow rate.

## Factors to Consider for Best Welding Results

Some experience is required to adjust and use a MIG welder. In MIG welding two parameters are fundamental: the welding voltage and the wire speed. The resulting welding current is a result of these two settings.

- Set the voltage and wire feed controls to positions suitable for the thickness of the material to be welded. Welding current varies in relationship to wire feed speed. For low welding current output, the wire feed speed potentiometer should be set at the low end of the wire feed speed scale. Turning the wire feed speed control potentiometer clockwise will result in increased wire feed speed and welding current. Welding voltage is adjusted to match the wire feed speed (welding current). Progressively select higher voltage positions while increasing wire speed.

Increasing welding voltage leads to a longer arc (without substantially affecting the current). Conversely, a decreased welding voltage results in a shorter arc (the current again is not substantially changed). A change in wire diameter results in changed parameters. A smaller diameter wire requires an increase in wire feed speed to reach the same current. If certain limits are exceeded, a satisfactory weld cannot be obtained. These are:

- A) Feeding wire too fast (too high with regard to the welding voltage) results in pulsing within the torch. This is because the wire electrode dips into the puddle and cannot be melted off fast enough.
- B) Setting welding voltage to high (too high with regard to the wire feed speed), will result in excessive and unstable arc. Increase the voltage even higher and the contact tip will burn.
- C) Excessive wire speed can be corrected through the arc voltage increase. The limit of this adjustment depends on the thickness of the material to be welded (a certain limit exceeded will result in burn through).

Place the torch on the joint you want to weld: the angle between the torch and the nozzle should be around 45°. The distance between the torch and the work piece should be 5-1/2". Lower the face shield and press the torch trigger to start the arc. When the arc has struck, move the nozzle slowly from left to right along the joint. Adjust the wire feed speed until the arc makes a "crisp" sound (experience will help you to recognize the right sound).

## Aluminum Welding

The machine should be set up for mild steel except for the following changes:

- 100% ARGON as welding protective gas.
- Ensure that your torch is set up for aluminum welding:
- The length of the torch cable should not exceed 10' (it is advisable not to use longer torches).
- Install a Teflon wire liner. Follow the instructions for changing the renewing of the wire liner.
- Ensure that drive rolls are suitable for aluminum wire.
- Use contact tips that are suitable for aluminum wire and make sure that the diameter of the contact tip hole corresponds to the wire diameter that is going to be used.

## Maintenance & Servicing

### General Maintenance

- Always weld clean, dry and well-prepared material.
- Hold gun at a 45° angle to the workpiece with nozzle about 1/2" from the surface.
- Move the gun smoothly and steadily as you weld.
- Avoid welding in very drafty areas. A weak, pitted and porous weld will result due to air blowing away the protective welding gas.
- Keep wire and wire liner clean. Do not use rusty wire.
- Sharp bends or kinks in the welding cable should be avoided.
- Always try to avoid getting particles of metal inside the machine since they could cause short circuits or other damage.
- If available, use compressed air to periodically clean the hose liner, especially when changing wire spools.  
**CAUTION:** Disconnect from power source when carrying out this operation.
- Using low pressure air (3/5 Bar=20-30 PSI), occasionally blow the dust from the inside of the welder. This keeps the machine running cooler. **NOTE:** Do not blow air over the printed circuit board and electronic components.
- The wire feed roller will eventually wear during normal use. With the correct tension the pressure roller must feed the wire without slipping. If the pressure roller and the wire feed

roller make contact when the wire is in place between them, the wire feed roller must be replaced.

- Check all cables periodically. They must be in good condition and not cracked.

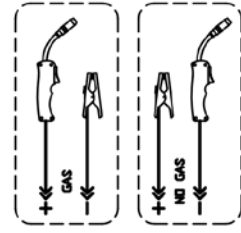
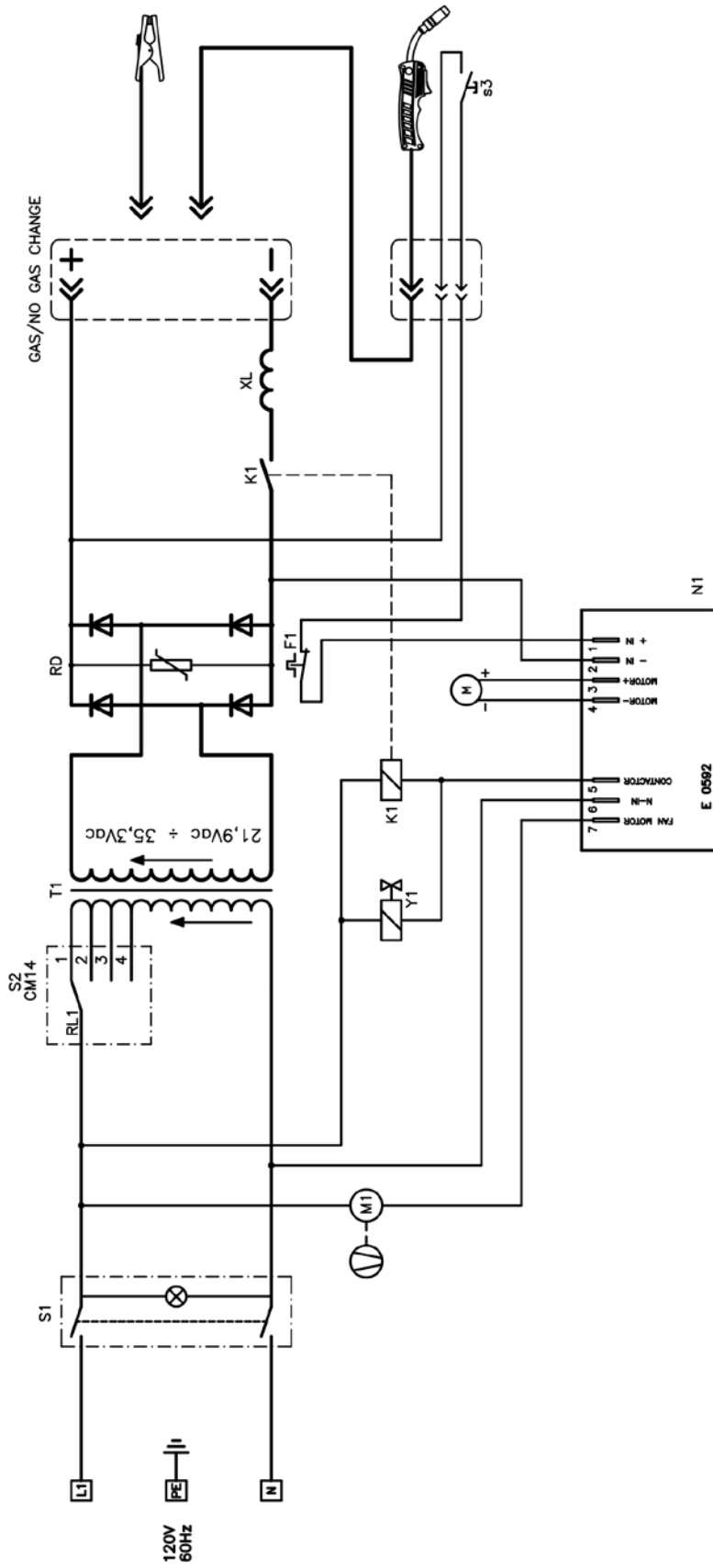
## Troubleshooting

This chart will assist you in resolving common problems you may encounter. These are not all the possible solutions.

PROBLEM	POSSIBLE CAUSE	POSSIBLE SOLUTION
No "power" from welder.	Input cable or plug malfunction. Wrong size fuse. Faulty on/off switch.	Check for proper input cable connection. Check fuse and replace as necessary. Replace on/off switch.
Fan operates normally, but when gun trigger pulled, there is no wire feed, weld output or gas flow.	Faulty trigger gun. Thermostat intervention.	Replace torch trigger.  Allow welder to cool. When the pilot lamp/switch on the front panel goes dark indicates the thermostat has closed.
Feed motor operates but wire will not feed.	Faulty wire feeding motor (rare). Insufficient feed roller pressure. Burr on end of wire. Liner blocked or damaged.	Replace wire feeding motor. Increase roller pressure. Re-cut wire square with no burr. Clear with compressed air or replace liner.
Lack of penetration.	Voltage or wire feed speed too low.  Loose connection inside the machine (rare).  Worn or wrong size contact tip.  Loose gun connection or faulty gun assembly.  Wrong size wire.  Torch moved too fast.	Re-adjust the welding parameters.  Clear with compressed air and tighten all connections.  Replace the contact tip.  Tighten or replace torch.  Use correct size welding wire.  Move the gun smoothly and not too fast.
Wire is birdnesting at the drive roller.	Excessive pressure on drive roller. Gun liner worn or damaged. Contact tip clogged or damaged. Liner stretched or too long.	Adjust pressure on drive roller. Replace wire liner. Replace contact tip. Cut wire liner at the right length.

<b>PROBLEM</b>	<b>POSSIBLE CAUSE</b>	<b>POSSIBLE SOLUTION</b>
Wire burns back to contact tip.	Contact tip clogged or damaged. Wire feed speed too slow. Wrong size contact tip. Bad connection from cable to clamp. Slag buildup inside nozzle or nozzle is shorted.	Replace the contact tip. Increase wire speed. Use correct size contact tip. Tighten clamp connection or replace cable. Clean or replace nozzle.
Workpiece clamp and/or cable gets hot.	Wire feed speed too fast.	Decrease wire feed speed.
Gun nozzle arcs to work surface.	Nozzle clogged.	Clean or replace nozzle
Wire pushes torch back from the workpiece.	Torch held too far from the workpiece.	Hold the torch at the right distance.
Poor quality welds.	Insufficient gas at weld area.  Rusty, painted, oil or greasy workpiece.  Rusty or dirty wire.  Poor ground contact.  Incorrect gas/wire combination	Check that the gas is not being blown away by drafts and, if so, move to more sheltered weld area. If not check gas cylinder contents gauge, regulator setting and operation of gas valve. Ensure workpiece is clean and dry.  Ensure wire is clean and dry.  Check ground clamp/workpiece connection. Check the manual for the correct combination.
Weld deposit "stringy" and incomplete.	Torch moved over workpiece too quickly.  Gas mixture incorrect.	Move the torch slower.  See shielding gas table.
Weld deposit too thick.	Torch moved over workpiece too slowly.  Welding voltage too low.	Move the torch faster.  Increase welding voltage.

# Wiring Diagram



POSITION	CM14				
	RL1	1	2	3	4
1	X				
2		X			
3			X		
4				X	

F1	THERMOSTAT
Y1	SOLENOID VALVE
K1	RELAY
M	WIRE FEEDING MOTOR
M1	FAN
N1	P.C. BOARD
RD	RECTIFIER
S1	ON-OFF
S2	SWITCH
S3	TORCH TRIGGER
T1	TRANSFORMER
XL	CHOKE

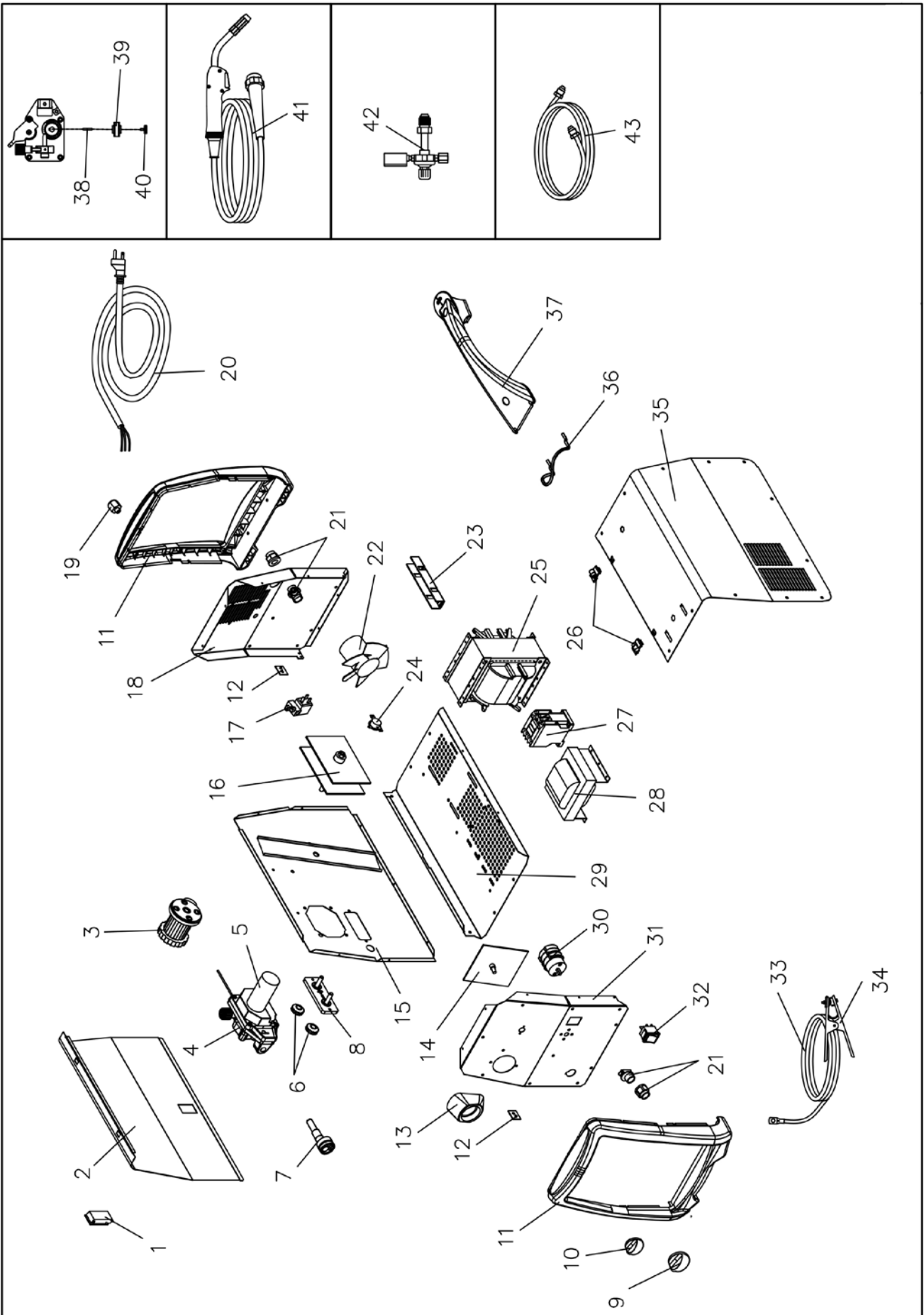


## Tools and Spare Parts List

NO.	PART NUMBER	ITEM DESCRIPTION	QTY.
01	85005	Door latch (1pc pack)	1
02	84008	Left panel with silk screen and labels	1
03	85541	Kit spool holder with ring for 5kg spool	1
04	85561	Wire feeder plast/all d.37 Rul.06-09	1
05	85207	Motor d.37 + Pinion	1
06	84978	4 Lobes d.30 Hand-wheel m8bush 2pcs pack	2
07	84001	Mig gun euro connection l=32	1
08	85204	Kit gas/no gas change board	1
09	85575	Switch knob d.38 Black	1
10	85554	Black knob d.38 For potentiom. + Pointer	1
11	85706	Assembly frame + caps	1
12	21690713	Spacer for plastic frame	1
13	84033	Torch grommet for euro connection	1
14	85262	P.C.Board e0592.1R 110v + fuse"csa"	1
15	05000279	Dividing panel with labels	1
16	85257	Rectifier pms 30b f type	1
17	85540	Solenoid valve 11va 110v 60hz 1 pc pack	1
18	05000275	Rear panel	1
19	22910110	Female gas connector 1/8"gas - 5/8"unf	1
20	20220018K	1Pck input cable 3xawg1 4 2,25m+us5/15plug	1
21	21605010K	Cable clamp+ring nut, hole d. 20, 2Pcs pack	2
22	85201	Complete fansp.16 110V	1
23	84010	Cable holder	1

NO.	PART NUMBER	ITEM DESCRIPTION	QTY.
24	85573	Thermostat 100ø 10a1 pc pack	1
25	84006	Transformer 1ph mig 60hz 115v 40x72 al	1
26	84002	Plastic hinge for door 20x30 2pcs pack	2
27	85256	Contactora lx0 110v 10a 4na (cn-11)	1
28	84080	Choke d.4,3 40X25 al	1
29	33700414 9005	Bottom panel	1
30	85539	Rotary switch ca20 cm14	1
31	05000267	Front panel 140 mig forney w/silk screen	1
32	84914	Green on/off switch 16a-250v 1 pc pack	1
33	85276	Earth cable 10gr.Mmq mt. 2 (Pack.1)	1
34	85011	Earth clamp 300a zinc-coated 1 pc pack	1
35	84007	Right cover panel with silk screen	1
36	84003	Torch wrapper	1
37	84004	Handle for torch wrapper	1
38	85520	Flat-key 3x3 l=20 1pc pack	1
39	85511	Feed roll d.30 0,6-0,9Mm mot2r 1 pc pack	1
40	85515	Feed roll secure knob	1
41	85500	Mig torch 14mm2 3mt tweco 1 euro connect	1
42	85662	Gas reducer 2 man. Cga580-5/8" unf-2b	1
43	30900035	Black gas hose 3 meter	1

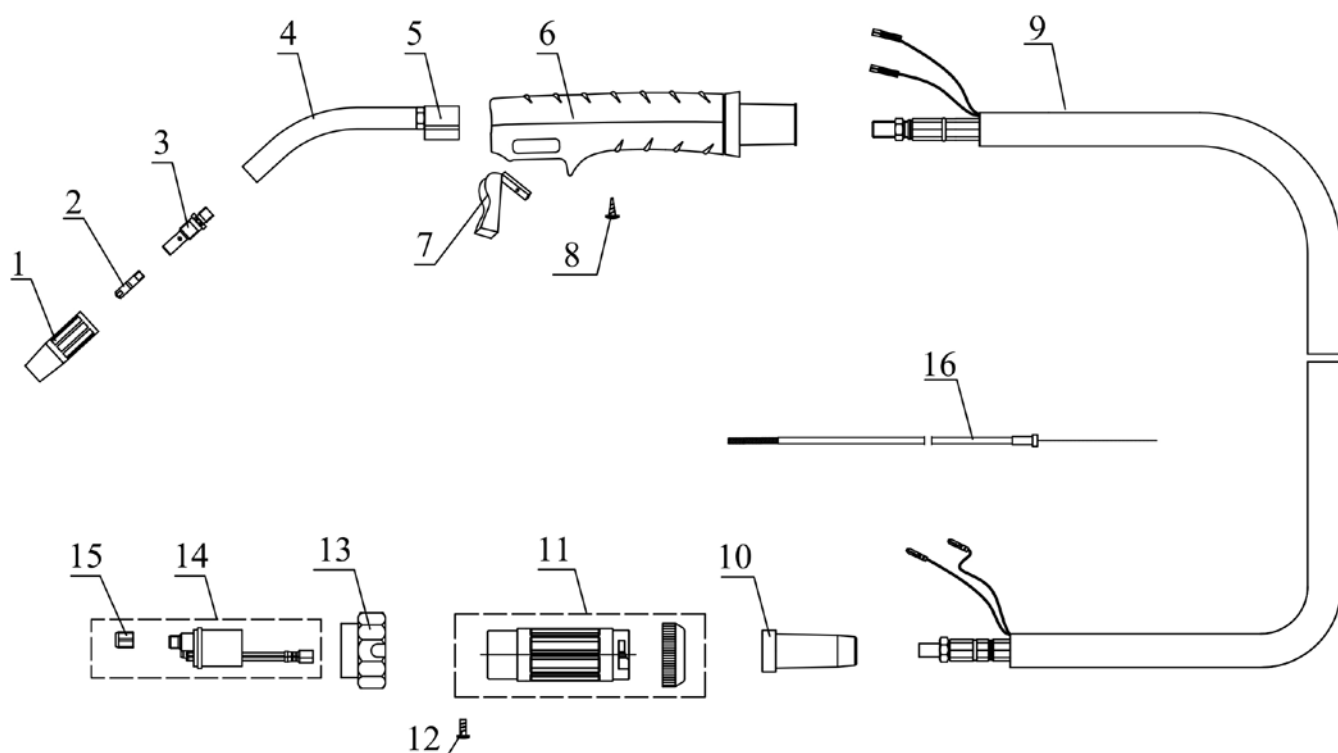
# Parts Diagram



# MIG Gun Torch Spare Parts List

NO.	PART NUMBER	ITEM DESCRIPTION	QTY.
01	23005373K	Tweco torch nozzle 21-50f 1 pc pack	1
02	23005018K	0,6Mm contact tip for t1.4-1.6 10 Ppc pack	10
02	23005019K	0,8Mm contact tip for t1.4-1.6 10 pc pack	10
02	23005182K	0,9Mm contact tip for t1.4-1.6 10 pc pack	10
03	23005374K	Tweco gas diffuser 35-50 1 pc pack	1
04	23005375K	Tw1 m15 torch neck 1 pc pack	1
05	23005360K	Torch head plastic housing 1 pc pack	1
06	23005376K	Black handle for m15 torch 1 pc pack	1
07	23005377K	Red torch trigger 1 pc pack	1

NO.	PART NUMBER	ITEM DESCRIPTION	QTY.
08	23005362K	Screws for m25 torch handle 12 pc pack	12
09	23005535	Coax cable 14mm2 3m 1 pc pack	1
10	23005482	Plastic cable support	1
11	23005483	Rear box kit	1
12	23005539	Black screw m4x6	1
13	23005484	Plastic grommet	1
14	23005536	Male euro connection	1
15	23005537	Torch liner block nut	1
16	23005538	Blue steel wire liner 0,8-1,0	1





# Forney®

## SOUDEUSE MIG 140 MANUEL D'UTILISATION



### CARACTÉRISTIQUES :

- Plage de courant de soudage jusqu'à 140 A et entrée de 120V
- Peut être utilisé pour l'acier doux, l'acier inoxydable, l'aluminium et la fonte
- Grand boîtier pour un accès facile aux bobines
- Système de déroulage des fils métallique robuste
- Enrouleur pour chalumeau/câble
- Chalumeau MIG premium avec branchement Euro et consommables de type Tweco®

### PARFAITE POUR :

le bricolage, les travaux agricoles, l'entretien et la réparation, les entrepreneurs, le domaine de l'automobile, la fabrication de métaux, les loisirs et autres.

### COMPREND :

Chalumeau soudeur, prise de masse, câble d'alimentation, tuyau de gaz et détendeur

FRANÇAIS



WELDING IN AMERICA.  
SINCE THE BEGINNING.



5/3/1  
WARRANTY

CAT# 309

REV 04.12.17



#### CINQ FAÇONS DE COMMANDER

Page Web :  
[www.forneyind.com](http://www.forneyind.com)

Téléphone : +1 800 521-6038

Télécopieur : +1 970 498-9505

Courrier :

Forney Industries  
2057 Vermont Drive  
Fort Collins, CO 80525

Courriel : [sales@forneyind.com](mailto:sales@forneyind.com)

#### Entrepôts des États-Unis :

- Fort Collins, CO
- Tipp City, OH

Copyright© 2014 Forney Industries, inc. Tous droits réservés. Toute reproduction ou distribution non autorisée est sujette aux lois américaines sur le droit d'auteur.

## La promesse Forney

Votre réussite nous tient à cœur, peu importe l'endroit, la taille ou les besoins. Nous comprenons que votre objectif est de bien accomplir votre travail et nous sommes là pour vous aider.

## Message du président

Nous commercialisons des outils, de l'équipement et des accessoires de la plus grande qualité pour les bricoleurs et les professionnels. Notre passion et notre dévouement à introduire de nouveaux produits sur les marchés industriel et de la vente au détail, ainsi que notre service personnalisé, sont sans précédent dans l'industrie. Notre capacité d'écoute des besoins de nos clients nous permet de créer des solutions afin de régler leurs problèmes.

Notre dévouement à offrir un service après-vente de la plus grande qualité au sein de notre siège social ainsi que le service que nous offrons dans notre domaine sont inégalés. Il nous tient à cœur de trouver les meilleures solutions pour répondre aux besoins de nos clients. Surtout, nos employés feront preuve du même respect et de la même attitude attentive au sein de l'organisation et avec chaque client Forney. Notre objectif consiste à dépasser les attentes de nos clients grâce à des personnes capables, guidées par les mêmes valeurs et dévouement.

Nous travaillons sans relâche pour que nos clients nous fassent confiance grâce à notre engagement indéfectible auprès d'eux, notre intégrité, notre travail d'équipe, l'innovation des produits Forney ainsi que nos 80 années de qualité inégalée.

Nous réussissons lorsque nos clients réussissent.



STEVEN G. ANDERSON, président et directeur général



# **ARRÊTEZ!**

## **NE RETOURNEZ PAS AU MAGASIN**

Si vous avez des questions ou des problèmes avec votre nouveau découpeur au plasma, veuillez appeler le service à la clientèle au **+1 800 521-6038**, du lundi au vendredi de 7 h à 17 h (HNR) ou rendez-vous au [www.forneyind.com/about-us/contact-us](http://www.forneyind.com/about-us/contact-us).

Veuillez prendre le temps d'enregistrer votre produit sur [www.forneyind.com/support/product-registration](http://www.forneyind.com/support/product-registration).

Merci et profitez pleinement de votre nouvelle soudeuse.

**Pour les renseignements  
les plus récents relatifs à la  
garantie, rendez-vous au  
[www.forneyind.com](http://www.forneyind.com)**

### ATTENTION!

AVANT D'INSTALLER OU D'UTILISER L'APPAREIL OU D'EFFECTUER LA MAINTENANCE DE CELUI-CI, LIRE ATTENTIVEMENT LE CONTENU DU PRÉSENT MANUEL, EN ACCORDANT UNE ATTENTION PARTICULIÈRE AUX RÈGLES DE SÉCURITÉ ET AUX RISQUES.

Dans le cas où les instructions ne seraient pas claires, merci de contacter votre revendeur Forney autorisé ou le service à la clientèle Forney au +1 800 521-6038

1.

- Sécurité en soudage et coupage, norme ANSI Z49.1, de la Société américaine de soudage (American Welding Society), 8669 Doral Boulevard, Suite 130, Doral, FL 33166 Normes de santé et sécurité, OSHA 29 CFR 1910, du Surintendant des Documents, bureau des publications américain, Washington, D.C. 20402.
- Pratiques sûres recommandées de préparation pour le soudage et le coupage de conteneurs ayant renfermé des substances nocives, norme AWS F4.1 de la Société américaine de soudage (American Welding Society), 8669 Doral Boulevard, Suite 130, Doral, FL 33166
- Règles de sécurité électrique nationales, norme NFPA 70, de l'Association nationale de protection contre le feu (National Fire Protection Association), Batterymarch Park, Quincy, MA 02269.
- Manutention sécuritaire des cylindres de gaz comprimé, CGA brochure P-1, de l'Association des gaz comprimés (Compressed Gas Association), 1235 Jefferson Davis Highway, Suite 501, Arlington, VA 22202.
- Règles de sécurité en soudage et coupage, norme CSA W117.2, de l'Association canadienne de normalisation (Canadian Standards Association), Standards Sales, 178 Rexdale Boulevard, Rexdale, Ontario, Canada M9W 1R3.
- Pratiques sûres pour la protection des yeux et du visage au travail et dans les écoles, norme ANSI Z87.1, de l'Institut de normalisation américaine (American National Standards Institute), 1430 Broadway, New York, NY 10018.
- Procédés de coupage et de soudage, NFPA Standard 51B, de l'Association nationale de protection contre le feu (National Fire Protection Association), Batterymarch Park, Quincy, MA 02269.

### Proposition 65 de l'État de la Californie

⚠ **AVERTISSEMENT :** Ce produit peut vous exposer à des substances chimiques, notamment le plomb, reconnues par l'État de Californie pour provoquer le cancer et des malformations congénitales ou d'autres anomalies de reproduction. Pour plus de renseignements, consulter [www.P65Warnings.ca.gov](http://www.P65Warnings.ca.gov). P65 détails sur [forneyind.com](http://forneyind.com). Se laver les mains après utilisation.

### Information EMF

Le courant de soudage ou de coupage, lorsqu'il circule dans les câbles de soudage ou de coupage, cause des champs électromagnétiques. Ceux-ci ont soulevé et soulèvent encore certains questionnements. Toutefois, après examen, le comité du Conseil national de recherches (National Research Council) a conclu que : « Selon le jugement du comité, l'ensemble des preuves n'a pas démontré que l'exposition à des champs électriques et magnétiques de fréquence-puissance représente un danger pour la santé. » Toutefois, des études sont toujours en cours et les preuves continuent d'être examinées. Jusqu'à ce que les conclusions finales de la recherche aient été obtenues, vous pouvez vouloir minimiser votre exposition aux champs électromagnétiques lorsque vous soudez ou coupez.

Afin de réduire les champs magnétiques sur le lieu de travail, suivez les procédures suivantes :

1. conservez les câbles rapprochés en les torsadant ou en utilisant du ruban adhésif;
2. placez les câbles d'un seul côté et tenez-les éloignés de l'utilisateur;
3. n'enroulez pas les câbles autour de votre corps;

4. conservez la source d'alimentation et les câbles de soudage ou de coupage le plus éloignés possible de l'utilisateur;
5. posez le pinceur sur la pièce à travailler le plus près possible de la coupure ou de la soudure.

### À PROPOS DES STIMULATEURS CARDIAQUES ET DES PROTHÈSES AUDITIVES :

Les personnes portant un stimulateur cardiaque ou des prothèses auditives doivent consulter leur médecin. Si vous obtenez l'accord de votre médecin, nous vous recommandons de suivre les procédures ci-dessus.

#### Protection personnelle

Les processus de soudage de toutes sortes peuvent être dangereux pour l'utilisateur, ainsi que pour toute personne à proximité de l'équipement, si les règles de sécurité et d'utilisation ne sont pas strictement respectées.



#### **L'ARC DE SOUDAGE PRODUIT UN RAYONNEMENT ULTRAVIOLET ET INFRAROUGE TRÈS LUMINEUX. CES RAYONS DE L'ARC PEUVENT VOUS ENDOMMAGER LES YEUX ET VOUS BRÛLER LA PEAU SI VOUS N'ÊTES PAS ADÉQUATEMENT PROTÉGÉ.**

Afin de réduire le risque de blessures causées par les rayons de l'arc, veuillez lire, comprendre et suivre les consignes de sécurité. Assurez-vous que toute autre personne utilisant l'équipement de soudage, ou se trouvant dans la zone de soudage, comprenne et suive également ces consignes de sécurité. Les casques et les filtres doivent respecter les normes ANSI Z87.1.

- Ne regardez pas un arc électrique sans protection oculaire adéquate. Un arc de soudage est extrêmement lumineux et intense. Sans protection oculaire adéquate, la rétine peut être brûlée, ce qui laissera une tache noire permanente dans le champ de vision. Vous devez utiliser une visière ou un casque avec une lentille filtrante à teinte n° 10 (minimum).
- Ne créez pas d'arc de soudage avant que toutes les personnes à proximité et le soudeur (vous) aient mis en place une visière ou un casque de soudage.
- Ne portez pas de casque fissuré ou brisé et remplacez immédiatement les lentilles de filtre fissurées ou brisées.
- Ne laissez pas la partie isolée du pistolet à fil entrer en contact avec la prise de masse ou le travail mis à la terre pour empêcher qu'un coup d'arc se crée au contact.
- Fournissez des visières ou des casques bien ajustés dotés d'une lentille de teinte appropriée aux personnes à proximité.
- Portez des vêtements de protection. La lumière intense de l'arc de soudage peut brûler la peau de la même manière que le soleil, même à travers des vêtements légers. Portez des vêtements foncés faits d'un tissu épais. Vous devez porter un chandail à manches longues et le col doit être boutonné de manière à protéger la poitrine et le cou.
- Protégez-vous contre les rayons d'arc réfléchis. Les rayons d'arc peuvent être réfléchis sur les surfaces brillantes comme une surface peinte glacée, de l'aluminium, de l'acier inoxydable et du verre. Les rayons d'arc réfléchis peuvent blesser vos yeux même lorsque vous portez un casque ou une visière de protection. Si vous soudez et qu'une surface réfléchissante se trouve derrière vous, les rayons d'arc peuvent rebondir sur la surface et à l'extérieur de la lentille du filtre. Ils peuvent pénétrer dans votre casque ou votre visière et dans vos yeux. Si un arrière-plan réfléchissant se trouve dans votre zone de soudure, enlevez-le ou recouvrez-le avec un matériau non inflammable et non réfléchissant. Les rayons d'arc réfléchissants peuvent aussi brûler la peau.
- Les étincelles peuvent causer des blessures. Portez de l'équipement de sécurité adéquat pour vous protéger les yeux et le visage. Formez l'électrode de tungstène sur la meule dans un endroit sécuritaire et en portant une protection adéquate. Gardez les objets inflammables éloignés et évitez les incendies pouvant être causés par des étincelles.



## **LES ÉMANATIONS, LES GAZ ET LES VAPEURS PEUVENT CAUSER DE L'INCONFORT, DES MALADIES ET LA MORT!**

Afin de réduire les risques, veuillez lire, comprendre et suivre les consignes de sécurité. De plus, assurez-vous que toute autre personne utilisant l'équipement de soudage ou se trouvant dans la zone de soudage comprenne et suive aussi ces consignes de sécurité.

- Lisez et comprenez les données de sécurité et la fiche de données de sécurité.
- Ne soudez pas avant de vous être assuré que la ventilation est adéquate selon la description de la norme ANSI Z49.1. Si la ventilation n'est pas adéquate pour échanger les émanations et les gaz générés contre de l'air frais pendant le processus de soudage, ne soudez pas avant que le soudeur (vous) et les personnes à proximité portent des respirateurs à adduction d'air.
- Ne chauffez pas les métaux qui contiennent ou qui sont revêtus de matériaux produisant des vapeurs toxiques (comme l'acier galvanisé), sauf si le revêtement a été enlevé. Assurez-vous que la zone est bien ventilée et que l'utilisateur et toutes les personnes à proximité portent des respirateurs à adduction d'air.
- Évitez de souder, de couper ou de chauffer le plomb, le zinc, le cadmium, le mercure, le béryllium, l'antimoine, le cobalt, le manganèse, le sélénium, l'arsenic, le cuivre, l'argent, le baryum, le chrome, le vanadium, le nickel ou des métaux similaires sans consulter un professionnel et sans inspecter la ventilation de la zone de soudage. Ces métaux produisent des vapeurs extrêmement toxiques qui peuvent causer de l'inconfort, des maladies et la mort.
- Ne soudez ou ne coupez pas dans des endroits à proximité de solvants à base de chlorure. Les vapeurs d'hydrocarbure chloré, comme le trichloréthylène et le perchloroéthylène, peuvent être décomposées par la chaleur d'un arc électrique ou par le rayonnement ultraviolet. Ces actions peuvent entraîner la formation de phosgène, un gaz hautement toxique, ainsi que d'autres gaz irritants pour les poumons et les yeux. Ne soudez pas ou ne coupez pas à des endroits où des vapeurs de solvants peuvent être attirées dans la zone de travail ou à des endroits où le rayonnement ultraviolet peut pénétrer dans des zones où se trouvent ces vapeurs, même en très petites quantités.
- Ne soudez pas dans un endroit confiné, sauf s'il est bien ventilé ou si l'utilisateur (ainsi que toute autre personne se trouvant dans la zone) porte un respirateur à adduction d'air.
- Arrêtez de souder si vous sentez une irritation momentanée des yeux, du nez ou de la gorge : cela indique que la ventilation est inadéquate. Arrêtez de travailler et prenez les mesures nécessaires pour améliorer la ventilation dans la zone de soudage. Ne recommencez pas à souder si l'inconfort physique persiste.

### Prévention des incendies



## **LES INCENDIES OU LES EXPLOSIONS PEUVENT CAUSER LA MORT, DES BLESSURES ET DES DOMMAGES MATÉRIELS!**

Afin de réduire ces risques, veuillez lire, comprendre et suivre les consignes de sécurité. De plus, assurez-vous que toute autre personne utilisant cet équipement de soudage ou que les personnes se trouvant dans la zone de soudage comprennent et suivent aussi ces consignes de sécurité. N'oubliez pas : par sa nature, l'arc de soudage produit des étincelles, des projections chaudes, des gouttes de métal fondu, du laitier chaud et des pièces de métal chaudes qui peuvent provoquer des incendies, brûler la peau et endommager les yeux.

- Ne portez pas de gants ou autres vêtements contenant de l'huile, de la graisse ou toute autre substance inflammable.
- Ne mettez pas de produits pour cheveux inflammables.
- Ne touchez pas au cordon de soudure ou au bain de fusion avant qu'il soit complètement refroidi.
- Ne soudez pas dans un endroit avant de l'avoir vérifié et d'avoir éliminé tous les matériaux combustibles ou inflammables. Les étincelles et le laitier peuvent être projetés jusqu'à 35

pieds (10,7 mètres) et peuvent passer à travers les petites fissures et ouvertures. Si votre travail et les éléments combustibles ne peuvent pas être séparés par un minimum de 35 pieds (10,7 mètres), protégez-vous contre l'inflammation à l'aide de recouvrements et de protecteurs ajustés et résistants au feu adéquats.

- Ne soudez pas sur les murs avant d'avoir vérifié et retiré les éléments combustibles qui touchent à l'autre côté des murs.
- Évitez de souder, de couper ou d'effectuer tout autre travail semblable sur des barils, des tambours, des réservoirs ou d'autres récipients usagés ayant contenu des substances inflammables ou toxiques. Les techniques pour retirer les substances et les vapeurs inflammables, pour rendre un récipient usagé sécuritaire pour le soudage ou pour couper, sont assez complexes et nécessitent une formation spéciale.
- Ne formez pas d'arc sur du gaz comprimé ou sur un cylindre à air comprimé. Si vous le faites, cela créera une zone fragile qui peut entraîner une rupture violente immédiatement ou plus tard lors d'une manipulation robuste.
- Évitez de souder ou de couper dans un endroit où l'air peut contenir de la poussière inflammable (comme de la poussière de grain), des gaz ou des vapeurs liquides (comme l'essence).
- Ne manipulez pas le métal chaud comme la pièce à travailler ou les bouts de l'électrode à mains nues.
- Portez des gants de cuir, un chandail à manches longues épais, des pantalons sans rebords, des chaussures hautes, un masque et un casque. Au besoin, utilisez des vêtements de protection supplémentaires comme une veste ou des manches en cuir, des jambières résistantes au feu ou un tablier. Des étincelles ou du métal chaud peuvent se loger dans les manches roulées, les rebords de pantalons ou les poches. Vous devez garder les manches et les cols boutonnés et vous devez porter des vêtements qui n'ont pas de poches à l'avant.
- Vous devez avoir de l'équipement extincteur d'incendie à portée de la main prêt à être utilisé immédiatement. Nous recommandons un extincteur d'incendie chimique portatif de type ABC.
- Portez des bouchons d'oreille lorsque vous soudez par-dessus votre tête afin d'éviter que les projections et le laitier tombent dans vos oreilles.
- Assurez-vous que le plancher de la zone de soudage est en bon état, qu'il est solide et sécuritaire. Il doit préférablement être en béton ou en maçonnerie, ne doit pas être fait de tuiles, de moquette ou de tout autre matériau inflammable.
- Protégez les murs, les plafonds et les planchers inflammables avec des protecteurs résistants à la chaleur.
- Vérifiez la zone de soudage pour vous assurer qu'il n'y a pas d'étincelles, de métal rougeoyant, de laitier ou de flammes avant de quitter la zone de soudage.
- Portez des vêtements exempts d'huile ou de toute autre substance inflammable, par exemple des gants en cuir, des chandails en coton épais sans matières synthétiques, des pantalons sans rebord et des souliers fermés. Gardez les cheveux longs attachés.
- Enlevez tout combustible, comme des briquets et des allumettes avant de souder.
- Respectez les exigences de l'OSHA et de la NFPA pour le travail à chaud et gardez un extincteur à proximité.

### Rayonnement à haute fréquence

- Les hautes fréquences peuvent interférer avec la radionavigation, les services de sécurité, les ordinateurs et l'équipement de communication.
- Il revient à l'utilisateur d'embaucher un électricien qualifié rapidement pour corriger tout problème d'interférence causé par l'installation. L'électricien doit régulièrement vérifier et entretenir l'installation.
- Arrêtez d'utiliser l'équipement si vous recevez une notification de la FCC à propos de l'interférence.
- Gardez les portes et les panneaux de la source de hautes fréquences bien fermés et gardez les éclateurs au réglage approprié.

## Soudage à l'arc

- Les ordinateurs et l'équipement informatisé peuvent être endommagés par l'énergie électromagnétique.
- Assurez-vous que tout l'équipement est compatible avec l'énergie électromagnétique.
- Gardez les câbles de soudage courts pour réduire l'interférence.
- Suivez les instructions du manuel pour installer la machine et la mettre à la terre.
- Si l'interférence continue, protégez la zone de travail ou déplacez la soudeuse.

## Décharge électrique



### **AVERTISSEMENT : LES DÉCHARGES ÉLECTRIQUES PEUVENT ÊTRE MORTELLES!**

Afin de réduire le risque de mort ou de blessures graves causées par les décharges électriques, veuillez lire, comprendre et suivre les consignes de sécurité. De plus, assurez-vous que toute autre personne utilisant l'équipement de soudage ou se trouvant dans la zone de soudage comprenne et suive aussi ces consignes de sécurité.

**IMPORTANT! AFIN DE RÉDUIRE LE RISQUE DE MORT, DE BLESSURE OU DE DOMMAGES MATÉRIELS, NE TENTEZ PAS D'UTILISER** cet équipement de soudage avant d'avoir lu et compris le résumé de sécurité suivant.

- N'entrez pas, de quelque manière que ce soit, en contact physique avec toute pièce du circuit de courant de soudage. Le circuit de courant de soudage comprend :
  - a. la pièce à travailler ou tout autre matériau conducteur qui est en contact avec cette dernière;
  - b. la prise de masse;
  - c. l'électrode ou le câble de soudage;
  - d. toute pièce de métal sur le porte-électrode ou le pistolet à fil.
- Ne soudez pas dans un endroit humide ou n'entrez pas en contact avec une surface humide ou mouillée.
- Ne tentez pas de souder si des parties de vos vêtements ou votre corps sont mouillés.
- Ne laissez pas l'équipement de soudage entrer en contact avec de l'eau ou de l'humidité.
- Ne tirez pas les câbles de soudage, le pistolet à fil ou le cordon d'alimentation de la soudeuse dans de l'eau ou de l'humidité et ne les laissez pas entrer en contact avec celles-ci.
- Ne touchez pas à la soudeuse et ne tentez pas de mettre en marche ou d'éteindre la soudeuse si une partie de votre corps ou de vos vêtements est humide ou si vous êtes en contact physique avec de l'eau ou de l'humidité.
- Ne tentez pas de brancher la soudeuse dans la source d'alimentation si une partie de votre corps ou de vos vêtements est humide ou si vous êtes en contact physique avec de l'eau ou de l'humidité.
- Ne posez pas le pinceur de la pièce à travailler de la soudeuse ou ne soudez pas sur un conduit électrique.
- Ne modifiez pas le cordon d'alimentation ou la prise du cordon d'alimentation de quelque manière que ce soit.
- Ne tentez pas de brancher la soudeuse dans une source d'alimentation si le contact de mise à la terre du cordon d'alimentation est plié, brisé ou manquant.
- Ne laissez pas la soudeuse branchée à une source d'alimentation ou ne tentez pas de souder si la soudeuse, les câbles de soudage, le site de soudage ou le cordon d'alimentation de la soudeuse sont exposés à toute forme de précipitation atmosphérique ou d'embruns d'eau salée.
- Ne transportez pas les câbles de soudage enroulés autour de vos épaules ou de toute autre partie de votre corps lorsqu'ils sont branchés dans la soudeuse.



## Bruit



Le bruit peut causer une perte auditive permanente. Les processus de soudage peuvent causer des niveaux sonores qui dépassent les limites sécuritaires. Vous devez protéger vos oreilles contre les bruits forts pour prévenir la perte auditive.

- Afin de protéger votre ouïe contre les bruits forts, portez des bouchons d'oreille ou des coquilles antibruit.
- Les niveaux sonores doivent être mesurés pour vous assurer que les décibels (son) ne dépassent pas les niveaux sécuritaires.

## Informations supplémentaires concernant la sécurité

Pour obtenir des informations supplémentaires à propos de la sécurité pour le soudage, consultez les normes suivantes et respectez-les le cas échéant.

- Norme ANSI Z49.1 - SÉCURITÉ EN SOUDAGE ET COUPAGE : disponible chez la Société américaine de soudage (American Welding Society), 550 NW Le Jeune Road, Miami, FL 33126 Téléphone +1 800 443-9353, Télécopieur +1 305 443-7559 - [www.amweld.org](http://www.amweld.org) ou [www.aws.org](http://www.aws.org)
- Norme ANSI Z87.1 - PRATIQUES SÛRES POUR LA PROTECTION DES YEUX ET DU VISAGE AU TRAVAIL ET DANS LES ÉCOLES : disponible chez l'Institut de normalisation américaine (American National Standards Institute), 11 West 42nd St., New York, NY 10036 Téléphone +1 212 642-9000, Télécopieur +1 212 398-0023 - [www.ansi.org](http://www.ansi.org)
- Norme NFPA 518 - PROCÉDÉS DE COUPAGE ET DE SOUDAGE : disponible chez l'Association nationale de protection contre le feu (National Fire Protection Association), 1 Batterymarch Park, P.O. Box 9101, Quincy, MA 02269-9101 Téléphone +1 617 770-3000 Télécopieur +1 617 770-0700 - [www.nfpa.org](http://www.nfpa.org)
- Norme OSHA 29 CFR, Partie 1910, Sous-partie Q., SOUDAGE, COUPAGE ET BRASAGE : disponible au bureau OSHA de votre état ou au Département du Travail des États-Unis OSHA, bureau des affaires publiques, Salle N3647, 200 Constitution Ave., Washington, DC 20210 - [www.osha.gov](http://www.osha.gov)
- Norme CSA W117.2 - Règles de SÉCURITÉ EN SOUDAGE ET COUPAGE : disponible chez l'Association canadienne de normalisation (Canadian Standards Association) 178 Rexdale Blvd., Etobicoke, Ontario M9W 1R3 - [www.csa.ca](http://www.csa.ca)
- Norme A6.0. de la Société américaine de soudage (American Welding Society) SOUDAGE ET COUPAGE DE CONTENEURS AYANT RENFERMÉ DES COMBUSTIBLES : disponible chez la Société américaine de soudage (American Welding Society), 550 NW Le Jeune Road, Miami, FL 33126 Téléphone +1 800 443-9353, Télécopieur +1 305 443-7559 - [www.amweld.org](http://www.amweld.org) ou [www.aws.org](http://www.aws.org)



# Table des matières

<b>GARANTIE</b> .....	<b>27</b>
<b>INFORMATIONS CONCERNANT LA SÉCURITÉ</b> .....	<b>28</b>
NORMES DE SÉCURITÉ PRINCIPALES .....	28
PROPOSITION 65 DE L'ÉTAT DE LA CALIFORNIE.....	28
INFORMATION EMF.....	28
PROTECTION PERSONNELLE.....	29
PRÉVENTION DES INCENDIES.....	30
RAYONNEMENT À HAUTE FRÉQUENCE.....	31
SOUDAGE À L'ARC.....	32
DÉCHARGE ÉLECTRIQUE.....	32
BRUIT .....	33
INFORMATIONS SUPPLÉMENTAIRES CONCERNANT LA SÉCURITÉ .....	33
<b>TABLE DES MATIÈRES</b> .....	<b>34</b>
<b>INSTALLATION</b> .....	<b>35</b>
CARACTÉRISTIQUES DE LA SOUDEUSE .....	35
SÉLECTION DU SITE .....	35
BRANCHEMENT DE LA SOURCE D'ÉNERGIE.....	35
VENTILATION .....	36
AVERTISSEMENTS ADDITIONNELS.....	36
<b>MONTAGE</b> .....	<b>36</b>
CONNEXION DU CHALUMEAU .....	36
CONNEXION DU CYLINDRE À GAZ ET DU DÉTENDEUR .....	36
GUIDE DU GAZ DE PROTECTION .....	38
CHARGEMENT DU FIL.....	39
REPLACEMENT DU GUIDE-FIL .....	39
COMMENT CHOISIR LE GUIDE-FIL POUR LES CONNEXIONS DIRECTES ET EURO DES CHALUMEAUX.....	39
SOUDAGE AU FIL FOURRÉ, « FCAW ».....	39
SOUDAGE MIG (GMAW).....	39
TABLEAU DE RÉGLAGE POUR SOUDAGE MIG (GMAW).....	40
<b>FONCTIONNEMENT</b> .....	<b>41</b>
DESCRIPTION .....	41
COMMANDES DE LA SOUDEUSE.....	41
PROTECTION CONTRE LES SURCHARGES THERMIQUES .....	41
GUIDE D'INFORMATION TECHNIQUE .....	42
PRÉPARATION POUR LE SOUDAGE .....	42
FACTEURS À PRENDRE EN CONSIDÉRATION POUR DE MEILLEURS RÉSULTATS DE SOUDURE .....	42
SOUDAGE À L'ALUMINIUM.....	43
<b>ENTRETIEN ET RÉPARATION</b> .....	<b>43</b>
ENTRETIEN GÉNÉRAL.....	43
<b>DÉPANNAGE</b> .....	<b>44</b>
<b>SCHÉMA DE CÂBLAGE</b> .....	<b>47</b>
<b>LISTE DES OUTILS ET DES PIÈCES DE RECHANGE</b> .....	<b>48</b>
<b>SCHÉMA DES PIÈCES</b> .....	<b>49</b>
<b>LISTE DES PIÈCES DE RECHANGE DU CHALUMEAU DU PISTOLET MIG</b> .....	<b>50</b>
<b>REMARQUES POUR L'UTILISATEUR</b> .....	<b>51</b>

# Installation

## Caractéristiques de la soudeuse

**Tableau 1. Caractéristiques de la soudeuse**

Tension primaire (entrée)	120 V en c.a.
Sortie de soudage	140A maximum
Phase	Mono
Fréquence	60 Hz
Facteur d'utilisation nominal	20 %
Plage de diamètre du fil :	Jusqu'à 0,030" (1,1 mm)

## Sélection du site



### **ASSUREZ-VOUS D'INSTALLER LA SOUDEUSE EN RESPECTANT LES LIGNES DIRECTRICES SUIVANTES :**

- Dans un endroit sans humidité ni poussière;
- Dans un endroit dont la température ambiante se situe entre 30 °F et 90 °F (1 °C et 32 °C);
- Dans un endroit sans huile, vapeur, ni gaz corrosifs;
- Dans un endroit sans risque de vibrations ou chocs anormaux;
- Dans un endroit à l'abri de la lumière directe du soleil et de la pluie;
- Installez-la à une distance d'au moins 12" (30,48 cm) des murs ou de tout autre obstacle qui pourrait empêcher les courants d'air naturels de refroidir la soudeuse.

## Branchement de la source d'énergie

Avant d'effectuer tout branchement électrique, assurez-vous que la tension de l'alimentation et la fréquence disponibles sur place correspondent aux besoins énoncés sur l'étiquette de votre soudeuse.

La tension de l'alimentation principale devrait se situer à  $\pm 10\%$  de la tension de l'alimentation principale nominale. Une tension trop basse peut entraîner une mauvaise soudure. Une tension d'alimentation trop élevée entraînera la surchauffe et possiblement la défaillance des composants. La prise de sortie de la soudeuse doit être :

- Installée correctement, au besoin par un électricien qualifié;
- Mise à la terre correctement et conformément aux réglementations locales;
- Connectée à un circuit électrique dont la capacité est adéquate.

### **REMARQUE :**

- Inspectez régulièrement le câble d'alimentation pour détecter les fissures et les fils à découvert. S'ils ne sont pas en bon état, faites-les réparer dans un centre de service.
- Ne tirez pas violemment sur le câble d'alimentation pour le débrancher de la prise.
- Ne laissez pas du matériel ou des outils sur le câble d'alimentation. Le câble pourrait être endommagé et entraîner des décharges électriques.
- Gardez le câble d'alimentation loin des sources de chaleur, de l'huile, des solvants et des objets tranchants.
- Si vous utilisez un cordon prolongateur, maintenez-le le plus droit possible. Utilisez un calibre de 10 AWG.

## Ventilation

Puisque l'inhalation des fumées de soudage est potentiellement dangereuse, assurez-vous que l'espace de soudage est efficacement ventilé.

## Avertissements additionnels

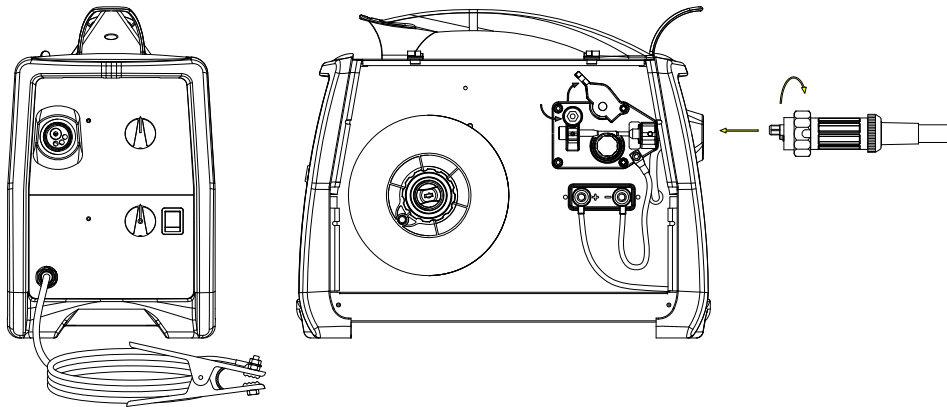
### **POUR VOTRE SÉCURITÉ, AVANT DE BRANCHER LE CÂBLE D'ALIMENTATION, SUIVEZ CES INSTRUCTIONS :**

- Un interrupteur bipolaire doit être inséré avant la sortie principale. Cet interrupteur doit être muni de fusibles temporisés.
- La connexion du câble de mise à la terre doit être faite avec une prise bipolaire compatible avec les douilles mentionnées ci-dessus.
- Lors de travaux de soudage dans un endroit confiné, la soudeuse doit rester à l'extérieur de la zone de travail et le câble de mise à la terre doit être fixé à la pièce à souder. Ne travaillez jamais dans des endroits humides et confinés.
- N'utilisez pas de câbles d'alimentation ou de soudage endommagés.
- Ne pointez jamais le chalumeau soudeur vers l'utilisateur ou quiconque.
- La soudeuse ne doit jamais être utilisée sans que ses panneaux y soient fixés. Cela pourrait blesser gravement l'utilisateur et endommager l'équipement.

## Montage

### Connexion du chalumeau

Fixez le chalumeau MIG standard au raccord fileté à l'avant de la soudeuse et serrez-le fermement à la main.



### Connexion du cylindre à gaz et du détendeur

La bouteille de gaz (non fournie) devrait être située à l'arrière de la soudeuse, dans un endroit bien ventilé et solidement fixée à l'établi ou au mur pour s'assurer qu'elle ne tombera pas. Par souci de sécurité et d'économie, assurez-vous que le détendeur est complètement fermé (tourné au fond en sens antihoraire) lorsque vous ne soudez pas et lorsque vous raccordez ou déplacez la bouteille de gaz.

- Tournez le bouton d'ajustement du détendeur dans le sens antihoraire pour vous assurer que la valve est bien fermée.
- Vissez le détendeur jusqu'au fond sur la valve de la bouteille de gaz.
- Raccordez le tuyau pour le gaz au détendeur et fixez-le avec l'agrafe ou l'écrou fourni.
- Ouvrez la valve du cylindre, puis réglez le débit de gaz du détendeur d'environ 20 à 35 pieds cubes par heure (0,57 à 0,85 mètre cube par heure).
- Actionnez la gâchette du chalumeau pour vous assurer que le gaz passe dans le chalumeau.



**AVERTISSEMENT :** Les cylindres sont sous haute pression. Manipulez avec soin. Des accidents graves peuvent résulter d'une manipulation inappropriée ou de la mauvaise utilisation des cylindres à gaz comprimé. Ne laissez pas tomber le cylindre, ne le renversez pas, et ne l'exposez pas à une chaleur excessive, aux flammes ou aux étincelles. Ne l'entrechoquez pas avec les autres cylindres.

### Guide du gaz de protection

MÉTAL	GAZ	REMARQUE
Acier doux	CO2 Argon + CO2 Argon + CO2 + Oxygène	L'argon contrôle les éclaboussures.  L'oxygène améliore la stabilité de l'arc.
Aluminium	Argon  Argon + Hélium	Stabilité de l'arc, bonne fusion et éclaboussure minimale. Une entrée de chaleur plus grande convient aux éléments lourds. Porosité minimale.
Acier inoxydable	Argon + CO2 + Oxygène Argon + Oxygène	Stabilité de l'arc.  Éclaboussure minimale.
Cuivre, nickel et alliages	Argon  Argon + Hélium	Convient aux fines épaisseurs en raison de la faible aptitude à l'écoulement de la mare de soudure. Une entrée de chaleur plus grande convient aux éléments lourds.



### **ASSUREZ-VOUS QUE LES ENTRÉES DE GAZ ET D'ÉLECTRICITÉ SONT DÉCONNECTÉES. AVANT L'UTILISATION, RETIREZ LA BUSE ET LE POINT DE CONTACT DU CHALUMEAU.**

- Ouvrez le panneau de côté.
- Desserrez l'écrou du porte-bobine (tambour de frein) et retirez le ressort et l'anneau extérieur. (Fig. 4)
- Retirez la protection en plastique de la bobine (4) et placez la bobine de fil sur le porte-bobine.
- Remplacez l'anneau extérieur, le ressort et l'écrou de blocage en plastique. Ces pièces forment le système de freinage de la vitesse du dévidoir.

**REMARQUE :** Ne serrez pas trop l'écrou. Une pression excessive fatiguera le moteur du dévidoir, tandis qu'une pression trop lâche ne permettra pas un arrêt immédiat du dévidoir à la fin de la soudure.

- Desserrez et abaissez le bouton de plastique (A) (Fig. 5). Ouvrez le bras de pression (B) de l'alimentation
- Déconnectez le fil du bout du dévidoir en faisant attention de garder une tension au bout du fil. Coupez une petite portion au bout du fil pour vous assurer que le bout est bien droit. Insérez le bout bien droit dans le tube de guidage (C) après le dévidoir et dans le guide-fil. Abaissez le bras de pression (B) et soulevez le bouton d'ajustement de la pression (A) pour le mettre en place. Branchez le cordon d'alimentation et mettez la soudeuse en marche. Enfoncez la gâchette du chalumeau et observez l'alimentation du fil dans le guide-fil. Ajustez la pression sur le fil à l'aide du bouton (A) pour assurer une alimentation régulière sans glissement. Ne serrez pas trop l'ajustement de la pression, car cela pourrait endommager le moteur. Fermez le panneau de côté de la soudeuse. Retirez la buse et le point de contact du pistolet-soudeur. Mettez le câble du chalumeau à plat pour éliminer toutes spirales ou torsions. Enfoncez et maintenez la gâchette du chalumeau jusqu'à ce que le fil sorte du bout du col de cygne. Éteignez la soudeuse et installez le point de contact et la buse.

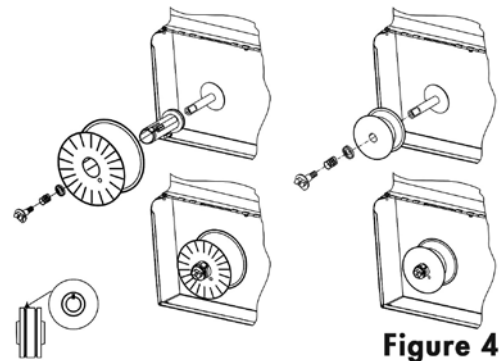


Figure 4

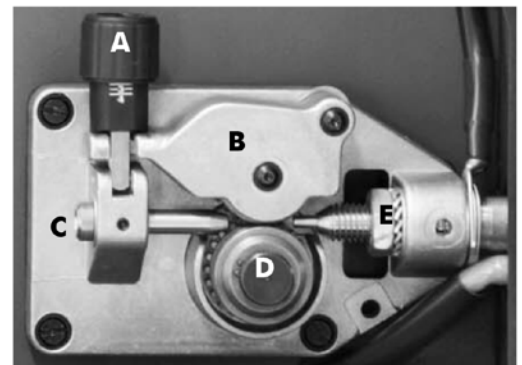


Figure 5



**AVERTISSEMENT :** Gardez le chalumeau droit. Lorsqu'un nouveau fil passe dans le guide-fil, assurez-vous que le fil est coupé droit (sans bavure ni angle) et qu'au moins 1" (2,5 cm) à partir du bout est droit (sans courbe). Le non-respect de ces instructions peut endommager le guide-fil.



**AVERTISSEMENT :** Lorsque vous changez le diamètre de fil utilisé ou remplacez la poulie d'alimentation du fil, assurez-vous que la cannelure adéquate pour le diamètre du fil choisi est à l'intérieur, le plus près possible de la machine. Le fil est propulsé par la cannelure intérieure. Les poulies d'alimentation sont marquées sur le côté pour identifier la cannelure la plus près de ce côté.



**AVERTISSEMENT :** Pour éviter les blessures, lorsque vous chargez le fil et le regardez sortir du col de cygne du chalumeau, ne tenez pas le chalumeau près de votre visage. À la place, dirigez-le vers le sol. Ne mettez pas vos doigts près des poulies d'alimentation du fil lorsque le dévidoir fonctionne.

## Remplacement du guide-fil



### ASSUREZ-VOUS QUE LES ENTRÉES DE GAZ ET D'ÉLECTRICITÉ SONT DÉCONNECTÉES.

- Débranchez le chalumeau de la machine.
- Placez-le sur une surface plane et retirez soigneusement l'écrou en laiton (Fig. 6) (1).
- Tirez le guide-fil hors du tuyau.
- Installez le nouveau guide-fil et fixez l'écrou en laiton (Fig. 6) (1) à nouveau. Si vous remplacez un guide-fil en Teflon, suivez ces instructions :
- Installez le nouveau guide-fil puis le collet (3).
- Insérez le joint torique (4) sur le collet du guide-fil (4) et remplacez l'écrou en laiton (1).
- Coupez le guide-fil près de l'écrou en laiton.

**REMARQUE :** La longueur du nouveau guide-fil doit être la même que celle de l'ancien guide-fil.

- Branchez le chalumeau à la machine et installez le fil dans le système d'alimentation.

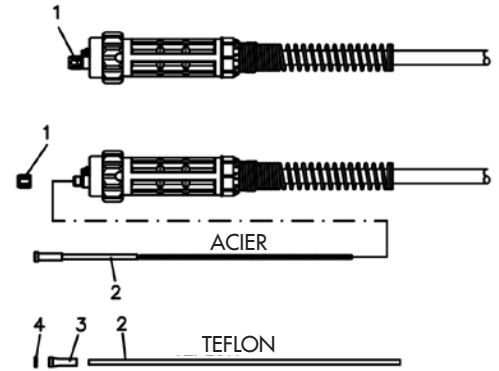


Figure 6

## Comment choisir le guide-fil pour les connexions directes et Euro des chalumeaux

Il y a deux types de guide-fil : En acier et en Teflon. Les guide-fil en acier peuvent être recouverts ou non. Les guide-fil recouverts sont utilisés pour les chalumeaux refroidis à l'air. Les guide-fil en Teflon sont recommandés pour le soudage de l'aluminium puisqu'ils permettent une douce alimentation en fil.

## Soudage au fil fourré, (FCAW)

- Branchez le câble de mise à la terre à la borne positive du panneau de changement de polarité à l'intérieur du compartiment de la bobine.
- Branchez le câble de masse à la borne négative du panneau de changement de polarité à l'intérieur du compartiment de la bobine.

## Soudage MIG (GMAW)

- Branchez le câble de mise à la terre à la borne négative du panneau de changement de polarité à l'intérieur du compartiment de la bobine.
- Branchez le câble de masse à la borne positive du panneau de changement de polarité à l'intérieur du compartiment de la bobine.

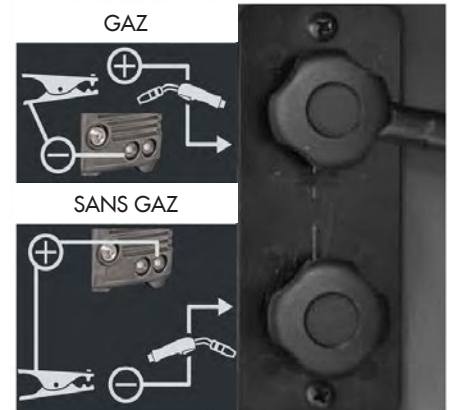
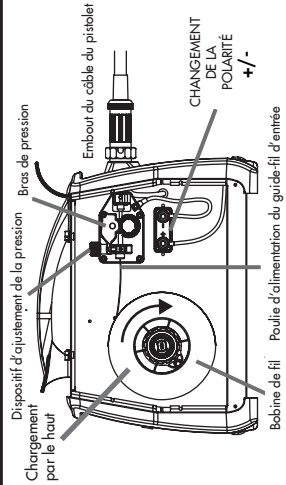


Figure 7

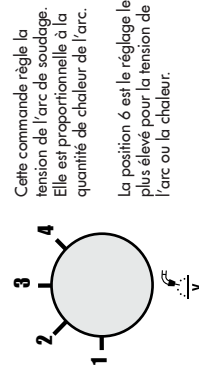
# Tableau de réglage pour soudage MIG (GMAW)

## TABLEAU DE RÉGLAGE SOUDAGE MIG 140

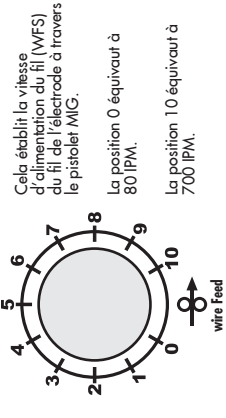
MÉTAUX (Fil)	GAZ	FIL Ø	ÉPAISSEUR DES MÉTAUX									
			0,0236" (0,6 mm)	CALIBRE 22 0,0315" (0,8 mm)	CALIBRE 20 0,0354" (0,9 mm)	CALIBRE 18 0,0236" (1,2 mm)	1/8" (3 mm)	3/16" (4,5 mm)	1/4" (6,4 mm)			
Bouton de réglage			Réglage de la tension	Vitesse d'alimentation du fil	Réglage de la tension	Vitesse d'alimentation du fil	Réglage de la tension	Vitesse d'alimentation du fil	Réglage de la tension	Vitesse d'alimentation du fil	Réglage de la tension	Vitesse d'alimentation du fil
Acier doux	Fil massif 75 % A + 25 % CO <sub>2</sub> (ER70S-6)	0,023" (0,6 mm)	1	3	2	7,5	3	7,5	4	8,5	4	9
		0,030" (0,8 mm)	1	2	1	3,5	3	5,5	4	7	4	8
		0,035" (0,9 mm)	-	-	2	3	3	4	4	6	4	8
	Fil fourré (Sans gaz) (E71T-GS)	0,030" (0,8 mm)	1	2	1	3	4	5	4	8	4	9
		0,035" (0,9 mm)	-	-	1	2	4	4	4	8	4	8,5
Acier inoxydable	Fil massif 98 % Ar 2 % CO <sub>2</sub>	0,023" (0,6 mm)	1	3	1	3,5	3	6	4	8,5	4	9
		0,030" (0,8 mm)	-	-	1	3,5	3	4	4	7	4	8
		0,035" (0,9 mm)	-	-	1	3	1	3,5	3	7	4	8



### Commande de la tension de l'arc



### Commande de la vitesse du fil



**WELDING IN AMERICA.  
SINCE THE BEGINNING.**

Forney Industries, inc.  
www.forneyind.com



# Fonctionnement

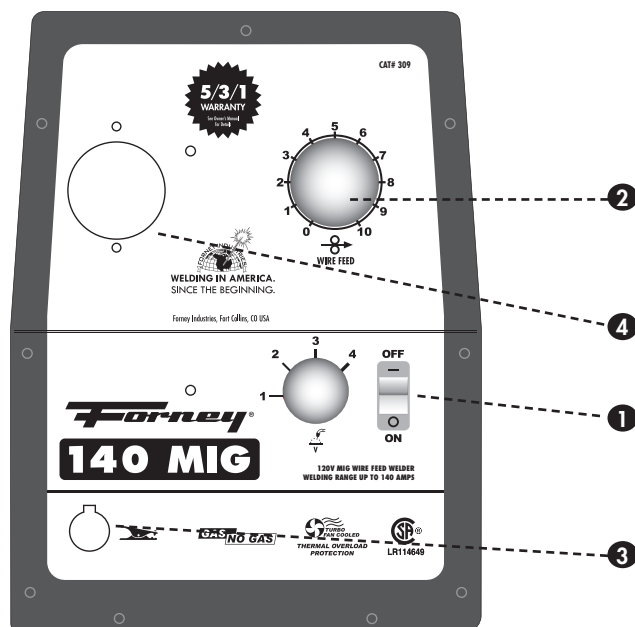
## Description

La soudeuse 140 MIG Forney est conçue pour les travaux d'entretien et de fabrication. Elle est idéale pour l'utilisation agricole, automobile et les réparations. Cette machine fonctionnant comme un transformateur est alimentée par un courant domestique standard de 120V et produit 140 A de sortie. Les diamètres de fil qui conviennent à cette machine sont de 0,024" (0,6 mm) et 0,030" (0,72 mm). Les unités Forney 190 MIG et Forney 190 MP peuvent recevoir des fils de diamètre jusqu'à 0,035" (0,9 mm). Les grandeurs de bobine compatibles avec cette machine sont de 4" (10,2 cm) et 8" (20,3 cm); ces bobines doivent être chargées en sens horaire, de sorte que le fil soit alimenté par le haut dans le système d'alimentation du fil. Cette machine peut souder des métaux jusqu'à 1/4" (0,6 cm) d'épaisseur.

Vous devez utiliser un chalumeau standard avec les unités.

## Commandes de la soudeuse

1. Interrupteur principal ON/OFF (MARCHE/ARRÊT) et ajustement de la tension
2. Bouton d'ajustement de l'alimentation du fil :  
Pour augmenter la vitesse du fil, tournez le potentiomètre en sens horaire; pour la diminuer, tournez le potentiomètre en sens antihoraire. La même procédure diminue les valeurs des paramètres de soudage. Tournez le bouton lentement.
3. Prise de masse
4. Chalumeau/pistolet MIG



## Protection contre les surcharges thermiques



**AVERTISSEMENT :** Si le facteur d'utilisation de la soudeuse est excédé, un thermostat coupera automatiquement l'alimentation pour empêcher la machine de surchauffer. Si cela se produit, ne débranchez pas la machine pendant qu'elle refroidit. Le thermostat se réinitialisera tout seul automatiquement et vous pourrez continuer à souder. Le thermostat est un dispositif de sécurité et de protection, et la soudeuse ne sera normalement pas endommagée à moins qu'elle soit fréquemment en surcharge, auquel cas elle pourrait être endommagée.

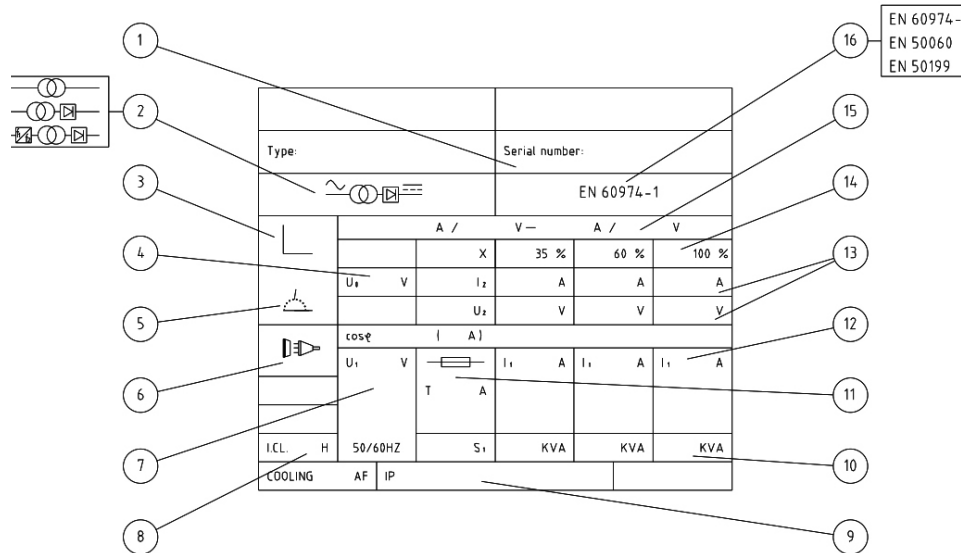


FIG. 15

- |  |  |
|--|--|
| 1. Numéro de série de l'unité                            | 9. Degré de protection                       |
| 2. Modèle de soudeuse                                    | 10. Puissance                                |
| 3. Type de caractéristique                               | 11. Capacité du fusible principal nécessaire |
| 4. Tension nominale Min. - Max. sans charge              | 12. Courant d'alimentation                   |
| 5. Type de soudure                                       | 13. Alimentation et tension de soudage       |
| 6. Symbole d'alimentation principale et nombre de phases | 14. Facteur de puissance                     |
| 7. Valeur nominale de la tension de l'alimentation       | 15. Plage de commande (courant/tension)      |
| 8. Lettre du code pour le degré d'isolation              | 16. Standard de référence                    |

### Préparation pour le soudage

- Fixez la prise de masse au métal nu à souder et assurez-vous d'un bon contact.
- Assurez-vous que la cannelure de l'alimentation du fil dans le dévidoir corresponde au diamètre du fil utilisé.
- Branchez l'appareil dans une prise adéquate.
- Ouvrez complètement la valve de la bouteille de gaz. Ajustez la pression du gaz grâce au détendeur au bon débit.

### Facteurs à prendre en considération pour de meilleurs résultats de soudure

Vous devez avoir de l'expérience pour ajuster et utiliser la soudeuse MIG. Pour le soudage MIG, deux paramètres sont fondamentaux : la tension de soudage et la vitesse du fil. Le courant de soudage est le résultat de ces deux paramètres.

- Réglez les commandes de la tension et de l'alimentation du fil de manière convenable pour l'épaisseur des pièces à souder. Le courant de soudage varie selon la vitesse d'alimentation du fil. Pour une sortie de courant de soudage faible, le potentiomètre de la vitesse d'alimentation du fil doit être réglé au plus bas. Tourner la commande du potentiomètre de la vitesse d'alimentation du fil en sens horaire augmentera la vitesse d'alimentation du fil et le courant de soudage. La tension de soudage est ajustée conformément à la vitesse d'alimentation (courant de soudage). Choisissez des positions de tension plus élevées progressivement tout en augmentant la vitesse du fil.

Augmenter la tension de soudage amène un arc long (sans avoir d'influence substantielle sur le courant). À l'inverse, réduire la tension de soudage entraînera un arc plus court (encore une fois, le courant ne subit aucun changement). Un changement dans le diamètre du fil entraîne un changement de paramètres. Un diamètre de fil plus petit nécessite une vitesse d'alimentation du fil augmentée pour atteindre le même courant. Si certaines limites sont dépassées, une soudure satisfaisante ne peut être obtenue. Ces limites sont :

- A) Une alimentation du fil trop rapide (trop élevée par rapport à la tension de soudage) entraîne une pulsation dans le chalumeau. C'est parce que le fil de l'électrode plonge dans la mare de soudure et ne peut pas fondre assez vite.
- B) Régler la tension de soudage trop haut (trop élevée par rapport à la vitesse du fil) entraînera un arc excessif et instable. Augmenter encore davantage la tension fera brûler le point de contact.
- C) Une vitesse du fil excessive peut être corrigée grâce à l'augmentation de la tension de l'arc. La limite de cet ajustement dépend de l'épaisseur des métaux à souder (le dépassement d'une certaine limite fera en sorte que l'arc passera à travers le métal).

Positionnez le chalumeau sur le joint que vous voulez souder : l'angle entre le chalumeau et la buse doit être d'environ 45°. La distance entre le chalumeau et la pièce à souder doit être de 5 1/2" (14 cm). Abaissez votre protection faciale et appuyez sur la gâchette du chalumeau pour amorcer l'arc. Lorsque l'arc se sera formé, déplacez la buse lentement de gauche à droite le long du joint. Ajustez la vitesse d'alimentation du fil jusqu'à ce que l'arc produise le son d'un craquement (l'expérience vous aidera à reconnaître le bon son).

## Soudage à l'aluminium

La soudeuse devrait être réglée pour le soudage de l'acier sauf dans les cas suivants :

- Gaz de soudage protecteur 100 % ARGON.
- Assurez-vous que votre chalumeau est réglé pour le soudage à l'aluminium :
- La longueur du câble du chalumeau ne doit pas excéder 10' (3 m) (il est recommandé de ne pas utiliser de chalumeau plus long).
- Installez un guide-fil pour le fil en Teflon. Suivez ces instructions pour changer le guide-fil.
- Assurez-vous que les galets d'entraînement conviennent au fil d'aluminium.
- Utilisez des points de contact qui conviennent au fil d'aluminium et assurez-vous que le diamètre du trou du point de contact correspond au diamètre du fil qui sera utilisé.

## Entretien et réparation

### Entretien général

- Soudez toujours des métaux propres, secs et bien préparés.
- Tenez le chalumeau à un angle de 45° par rapport à la pièce à souder avec la buse à environ 1/2" (1,2 cm) de la surface.
- Déplacez le chalumeau lentement et de manière stable quand vous soudez.
- Évitez de souder dans des endroits avec des courants d'air. Si de l'air souffle le gaz de protection ailleurs, cela entraînera une soudure faible, picotée et poreuse.
- Gardez le fil et le guide-fil propres. N'utilisez pas de fil rouillé.
- Évitez les plis ou les torsions sévères dans le métal.
- Évitez autant que possible que les particules de métal entrent dans la machine, car elles pourraient provoquer des courts-circuits ou l'endommager.
- Si possible, utilisez de l'air comprimé pour nettoyer régulièrement le guide-fil, surtout lorsque vous changez les bobines de fil. **ATTENTION** : Débranchez l'alimentation de courant lorsque vous effectuez cette opération.

- À l'aide d'air comprimé à basse pression (3/5 Bar = 20-30 psi), soufflez régulièrement la poussière à l'intérieur de la soudeuse. Cela réduit le risque de surchauffe de la machine.  
**REMARQUE :** Ne soufflez pas d'air sur la carte des circuits imprimés et les composants électroniques.
- Le dévidoir s'usera lors de l'utilisation normale. Avec la tension adéquate, le dévidoir doit alimenter le fil sans glisser. Si la poulie de pression et le dévidoir entrent en contact lorsque le fil est en place entre les deux, le dévidoir doit être remplacé.
- Vérifiez tous les câbles régulièrement. Ils doivent être en bon état et ne présenter aucune fissure.

## Dépannage

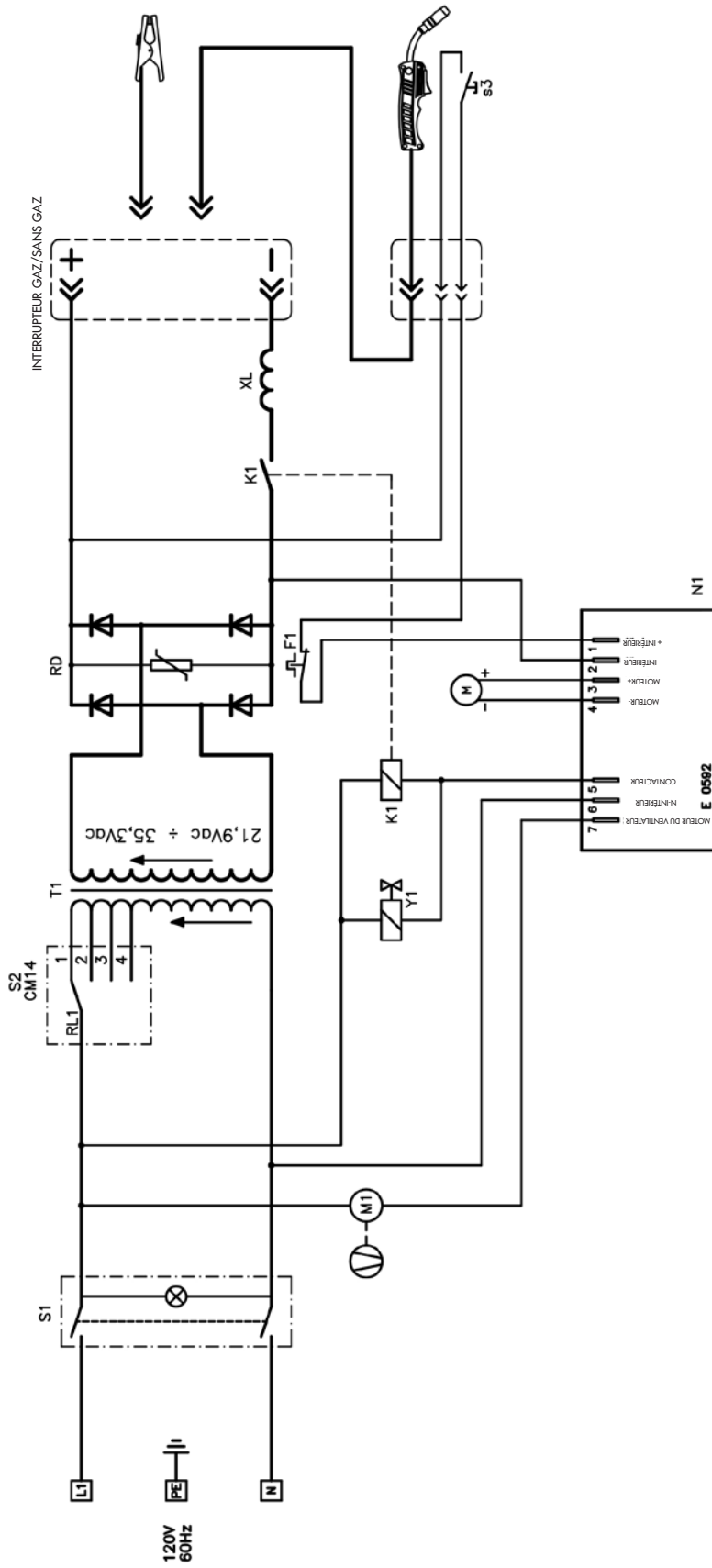
Le tableau suivant vous aidera à résoudre des problèmes fréquents que vous pourriez rencontrer. Ce ne sont pas là toutes les solutions possibles.

PROBLÈME	CAUSE POSSIBLE	SOLUTION POSSIBLE
La soudeuse ne reçoit pas de courant.	Mauvais fonctionnement du câble d'entrée ou de la prise.  Fusible de mauvaise taille.  Interrupteur ON/OFF (MARCHE/ARRÊT) défectueux.	Vérifiez la connexion du câble.  Vérifiez le fusible et remplacez-le au besoin.  Remplacez l'interrupteur marche / arrêt.
Le ventilateur fonctionne normalement, mais lorsque la gâchette est enfoncée, il n'y a pas d'alimentation du fil, de sortie de soudure ou de circulation de gaz.	Chalumeau à gâchette défectueux.  Intervention du thermostat.	Remplacez la gâchette du chalumeau.  Laissez la soudeuse refroidir. Lorsque la lampe témoin/ l'interrupteur sur le panneau avant s'éteint, il est indiqué que le thermostat s'est fermé.
Le moteur de l'alimentation fonctionne, mais le fil ne sort pas.	Moteur d'alimentation du fil défectueux (rare).  Pression du dévidoir insuffisante.  Bavure sur le bout du fil.  Guide-fil bloqué ou endommagé.	Remplacez le moteur d'alimentation du fil.  Augmentez la pression du dévidoir.  Coupez à nouveau le fil bien nettement sans bavure.  Nettoyez à l'aide d'air comprimé ou remplacez le guide-fil.

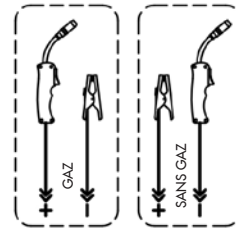
<b>PROBLÈME</b>	<b>CAUSE POSSIBLE</b>	<b>SOLUTION POSSIBLE</b>
Pénétration faible.	<p>Tension ou alimentation du fil trop basse.</p> <p>Connexion lâche à l'intérieur de la machine (rare).</p> <p>Point de contact usé ou de mauvaise capacité.</p> <p>Connexion du pistolet lâche ou pistolet défectueux.</p> <p>Mauvais diamètre de fil.</p> <p>Le chalumeau s'est déplacé trop rapidement.</p>	<p>Rajustez les paramètres de soudage.</p> <p>Nettoyez à l'aide d'air comprimé et resserrez toutes les connexions.</p> <p>Remplacez le point de contact.</p> <p>Resserrez ou remplacez le chalumeau.</p> <p>Utilisez un fil à souder de diamètre adéquat.</p> <p>Déplacez le pistolet doucement et lentement.</p>
Le fil produit une agglutination de leurres dans le dévidoir.	<p>Pression excessive sur le dévidoir.</p> <p>Guide de pistolet usé ou endommagé.</p> <p>Point de contact bouché ou endommagé.</p> <p>Guide étiré ou trop long.</p>	<p>Ajustez la pression du dévidoir.</p> <p>Remplacez le guide-fil.</p> <p>Remplacez le point de contact.</p> <p>Coupez le guide-fil à la bonne longueur.</p>
Le fil retourne vers le point de contact.	<p>Point de contact bouché ou endommagé.</p> <p>Vitesse d'alimentation trop lente.</p> <p>Point de contact de mauvaise capacité.</p> <p>Mauvaise connexion entre le câble et la prise de masse.</p> <p>Accumulation de laitier à l'intérieur de la buse ou buse raccourcie.</p>	<p>Remplacez le point de contact.</p> <p>Augmentez la vitesse d'alimentation du fil.</p> <p>Utilisez un point de contact de capacité adéquate.</p> <p>Resserrez la connexion de la prise de masse ou remplacez le câble.</p> <p>Nettoyez ou remplacez la buse.</p>
La prise de masse ou le câble de la pièce à souder devient chaud.	<p>Vitesse d'alimentation du fil trop rapide.</p>	<p>Réduisez la vitesse d'alimentation du fil.</p>
La buse du pistolet forme un arc sur la surface de travail.	<p>Buse bouchée.</p>	<p>Nettoyez ou remplacez la buse</p>

<b>PROBLÈME</b>	<b>CAUSE POSSIBLE</b>	<b>SOLUTION POSSIBLE</b>
Le fil repousse le chalumeau de la pièce à souder.	Le chalumeau est maintenu trop loin de la pièce à souder.	Tenez le chalumeau à la bonne distance.
Soudures de mauvaise qualité.	Gaz insuffisant à la zone de soudage.  Pièce à souder rouillée, peinte, huileuse ou graisseuse.  Fil rouillé ou sale.  Mauvais contact de mise à la terre.  Mauvaise combinaison gaz/fil	Vérifiez que le gaz n'est pas soufflé ailleurs par un courant d'air et, si c'est le cas, déplacez-vous vers un endroit mieux protégé pour souder. Si ce n'est pas le cas, vérifiez le contenu de la bouteille de gaz, le manomètre, les réglages du détendeur et la valve de gaz.  Assurez-vous que la pièce à souder est propre et sèche.  Assurez-vous que le fil à souder est propre et sec.  Vérifiez la connexion de la prise de masse à la pièce à souder.  Consultez le manuel pour la combinaison adéquate.
Dépôt de soudure filandreux et incomplet.	Le chalumeau s'est déplacé trop rapidement sur la pièce à souder.  Mauvais mélange de gaz.	Déplacez le chalumeau plus lentement.  Consultez le tableau des gaz protecteurs.
Dépôt de soudure trop épais.	Le chalumeau s'est déplacé trop lentement sur la pièce à souder.  La tension de soudage est trop basse.	Déplacez le chalumeau plus rapidement.  Augmentez la tension de soudage.

# Schéma de câblage



F1	THERMOSTAT
Y1	VALVE DU SOLENOÏDE
K1	RELAIS
M	MOTEUR D'ENTRAÎNEMENT DU FIL
M1	VENTILATEUR
N1	CARTE DE CIRCUITS IMPRIMÉS
RD	REDRESSEUR
S1	ON-OFF (MARCHE-ARRÊT)
S2	INTERRUPTEUR
S3	GÂCHETTE DU CHALUMEAU
T1	TRANSFORMATEUR
XL	ÉTRANGLEUR



CM14

RL1	1	2	3	4
1	X	X	X	X
2	X	X	X	X
3	X	X	X	X
4	X	X	X	X

POSITION

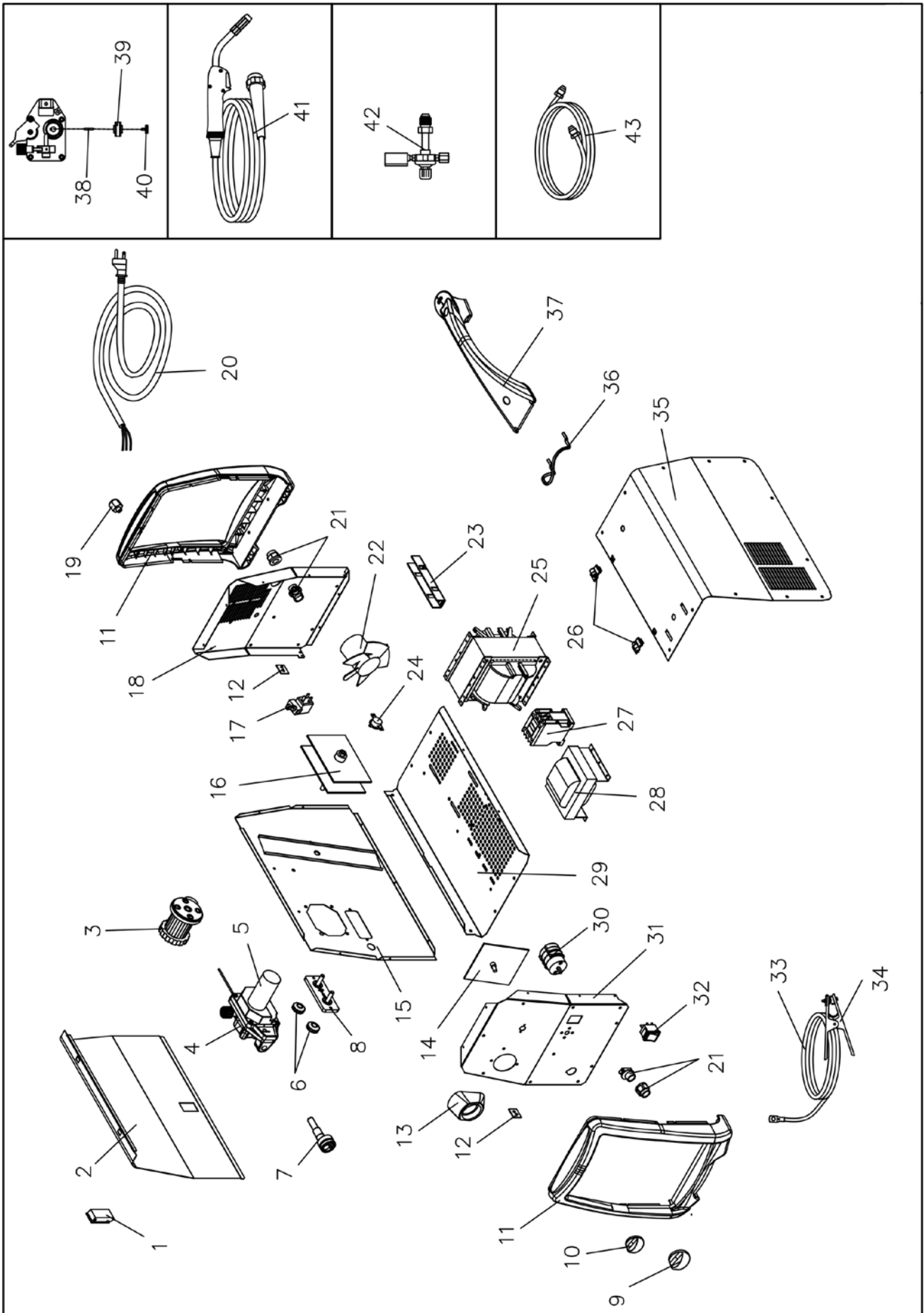


## Liste des outils et des pièces de rechange

N°	NUMÉRO DE PIÈCE	DESCRIPTION DE L'ARTICLE	QTÉ
01	85005	Loquet (paquet de 1)	1
02	84008	Panneau de gauche avec écran de soie et étiquettes	1
03	85541	Ensemble de porte-bobines avec anneau pour bobine de 5 kg	1
04	85561	Dévidoir en plast/all d.37 Rul.06-09	1
05	85207	Moteur d.37 + pignon	1
06	84978	4 lobes d.30 poignée à manivelle m8bush Paquet de 2	2
07	84001	Connecteur Euro pour pistolet MIG I=32	1
08	85204	Ensemble tableau de changement gaz/ sans gaz	1
09	85575	Bouton d'interrupteur d.38 noir	1
10	85554	Bouton noir d.38 pour potentiomètre + pointeur	1
11	85706	Cadre + couvercles	1
12	21690713	Entretoise pour le cadre en plastique	1
13	84033	Œillet de chalumeau pour connexion Euro	1
14	85262	Carte de circuits imprimés e0592.1R 110v + fusible « CSA »	1
15	05000279	Panneau de division avec étiquettes	1
16	85257	Redresseur pms 30 b de type F	1
17	85540	Valve de solénoïde 11va 110 V 60 Hz paquet de 1	1
18	05000275	Panneau arrière	1
19	22910110	Raccord femelle pour le gaz 1/8" gaz - 5/8" unf	1
20	20220018K	1 câble d'alimentation 3xAWG1 4 2,25 m + prise US5/15	1
21	21605010K	Prise de masse + écrou à œil, trou d.20 Paquet de 2	2
22	85201	Ventilateur complet 16 110 V	1
23	84010	Étrier de câble	1

N°	NUMÉRO DE PIÈCE	DESCRIPTION DE L'ARTICLE	QTÉ
24	85573	Thermostat 100ø 10 A Paquet de 1	1
25	84006	Transformateur 1 ph MIG 60 Hz 115 V 40x72 al	1
26	84002	Charnière en plastique pour la porte 20x30 paquet de 2	2
27	85256	Contacteur lx0 110 V 10 A 4na (cn-11)	1
28	84080	Étrangleur d.4,3 40X25 al	1
29	33700414 9005	Panneau du bas	1
30	85539	Interrupteur rotatif ca20 cm14	1
31	05000267	Panneau avant 140 MIG Forney avec écran de soie	1
32	84914	Interrupteur on/off (marche/arrêt) vert 16 A-250 V Paquet de 1	1
33	85276	Câble de garde 10gr.Mmq mt. 2 (Paquet de 1)	1
34	85011	Prise de masse 300 A enrobée de zinc paquet de 1	1
35	84007	Couvercle de panneau de droite avec écran de soie	1
36	84003	Enrouleur pour chalumeau	1
37	84004	Poignée pour l'enrouleur pour chalumeau	1
38	85520	Clavette plate 3x3 I=20 paquet de 1	1
39	85511	Dévidoir d.30 0,6-0,9 Mm mot2r paquet de 1	1
40	85515	Bouton sécurisé du dévidoir	1
41	85500	Chalumeau MIG 14 mm <sup>2</sup> 3mt Tweco + 1 connecteur Euro	1
42	85662	Réducteur de gaz 2 man. Cga580-5/8" unf-2b	1
43	30900035	Tuyau de gaz noir de 3 mètres	1

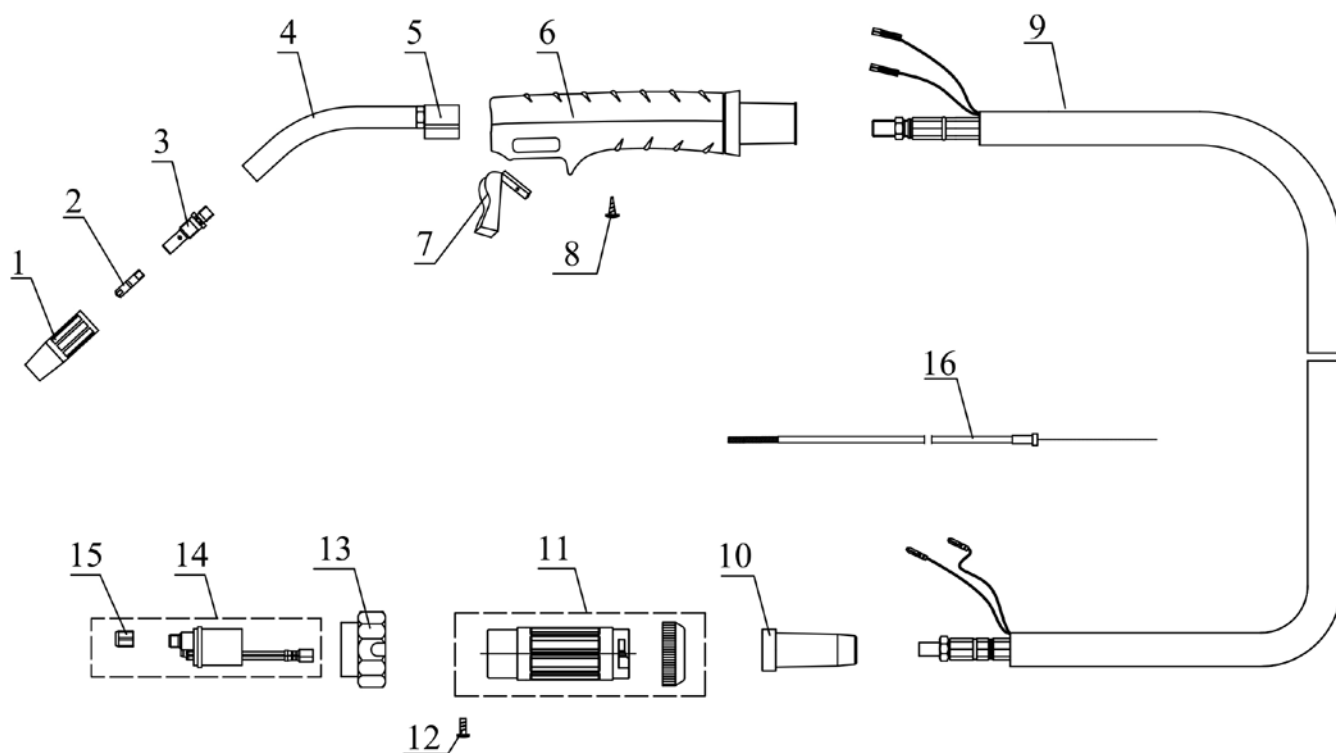
# Schéma des pièces



## Liste des pièces de rechange du chalumeau du pistolet MIG

N°	NUMÉRO DE PIÈCE	DESCRIPTION DE L'ARTICLE	QTÉ
01	23005373K	Buse de chalumeau Tweco 21-50f paquet de 1	1
02	23005018K	Point de contact 0,6 mm pour t1.4-1.6 paquet de 10	10
02	23005019K	Point de contact 0,8 mm pour t1.4-1.6 paquet de 10	10
02	23005182K	Point de contact 0,9 mm pour t1.4-1.6 paquet de 10	10
03	23005374K	Diffuseur de gaz Tweco 35-50 paquet de 1	1
04	23005375K	Col de cygne tw1 m15 paquet de 1	1
05	23005360K	Boîtier en plastique pour le chalumeau paquet de 1	1
06	23005376K	Poignée noire pour chalumeau m15 paquet de 1	1

N°	NUMÉRO DE PIÈCE	DESCRIPTION DE L'ARTICLE	QTÉ
07	23005377K	Gâchette de chalumeau rouge paquet de 1	1
08	23005362K	Vis pour le manche de chalumeau m25 paquet de 12	12
09	23005535	Câble coaxial 14 mm <sup>2</sup> 3m paquet de 1	1
10	23005482	Support de câble de plastique	1
11	23005483	Ensemble boîtier arrière	1
12	23005539	Vis noire m4x6	1
13	23005484	Œillet de plastique	1
14	23005536	Connexion Euro mâle	1
15	23005537	Écrou de verrouillage du guide-chalumeau	1
16	23005538	Guide-fil d'acier bleu 0,8-1,0	1









# MANUAL DE INSTRUCCIONES DE LA SOLDADORA MIG 140



## CARACTERÍSTICAS:

- Rango de soldadura de hasta 140 amperios/entrada de 120 V
- Puede usarse para acero suave, acero inoxidable, aluminio y hierro fundido
- Gabinete grande con acceso fácil a las bobinas
- Sistema impulsor de alambre, metálico de alta resistencia
- Envoltura de cable/antorcha
- Antorcha MIG de alta calidad con consumibles estilo Tweco® y desconexión europea

## IDEAL PARA:

Para tareas de bricolaje, agricultura, mantenimiento y reparación, contratistas, sector automotriz, aficionados a la fabricación con metal y mucho más...

## INCLUYE:

Antorcha para soldar, abrazadera de descarga a tierra, cable de alimentación, manguera y regulador de gas

ESPAÑOL



WELDING IN AMERICA.  
SINCE THE BEGINNING.



CAT. N.º 309

REV 04.12.17



## CINCO MANERAS DE HACER SU PEDIDO

### Página web:

www.forneyind.com

Teléfono: +1-800-521-6038

Fax: +1-970-498-9505

### Correo postal:

Forney Industries  
2057 Vermont Drive  
Fort Collins, CO 80525

### Correo electrónico:

sales@forneyind.com

### Depósitos en los EE. UU.:

- Fort Collins, CO  
- Tipp City, OH

Copyright© 2014 Forney Industries, Inc. Todos los derechos reservados. La reproducción y/o distribución no autorizada está sujeta a las leyes de propiedad intelectual de los EE. UU.

## Compromiso de Forney

Estamos comprometidos con su éxito sin importar la ubicación, el tamaño o las necesidades. Sabemos que su meta es hacer un buen trabajo y estamos listos para ayudarlo a que lo logre.

## Mensaje del presidente

Nuestra empresa comercializa herramientas, equipos y accesorios de la más alta calidad para aficionados y profesionales. Nuestra pasión y dedicación para ofrecer nuevos productos al mercado industrial y minorista, combinadas con nuestro servicio personal, son inigualables en nuestra industria. Nuestra capacidad de escuchar las necesidades de nuestros clientes nos permite crear soluciones a sus problemas.

Nuestra dedicación a la atención al cliente de la más alta calidad dentro de nuestras oficinas corporativas y el servicio que prestamos en este campo es incomparable. Nos comprometemos a crear las mejores soluciones para las necesidades de nuestros clientes. Sobre todo, nuestros empleados brindarán la misma actitud respetuosa y atenta dentro de la organización y se espera que la compartan con cada cliente de Forney. Nuestra meta es superar las expectativas de nuestros clientes a través de personas capacitadas, guiadas por valores y compromisos compartidos.

Trabajamos duro para que nuestros clientes confíen en nosotros por nuestra integridad, trabajo en equipo e innovación de los productos Forney, y la calidad inigualable de los productos de Forney a lo largo de 80 años y un compromiso irrenunciable con nuestros clientes.

Cuando a nuestros clientes les va bien, a nosotros nos va bien.



STEVEN G. ANDERSON, Presidente y Director Ejecutivo



# **¡DETÉNGASE! NO LA DEVUELVA A LA TIENDA**

Si tiene preguntas o problemas con su nueva cortadora de plasma, llame a Atención al Cliente al **+1-800-521-6038**, de lunes a viernes de 7.00 a 17.00, hora estándar de la montaña (MST) o ingrese a [www.forneyind.com/about-us/contact-us](http://www.forneyind.com/about-us/contact-us).

Tómese un momento para registrar su producto en [www.forneyind.com/support/product-registration](http://www.forneyind.com/support/product-registration).

Gracias y disfrute de su nueva soldadora.

**Para conocer la versión más reciente de la garantía, visite [www.forneyind.com](http://www.forneyind.com)**

### ¡PRECAUCIÓN!

ANTES DE INSTALAR, UTILIZAR O REALIZAR EL MANTENIMIENTO EN LA MÁQUINA, LEA EL CONTENIDO DE ESTE MANUAL DETENIDAMENTE, PRESTANDO ESPECIAL ATENCIÓN A LAS REGLAS DE SEGURIDAD Y PELIGROS.

En el caso de que estas instrucciones no le resulten claras, comuníquese con su vendedor de Forney autorizado o con Atención al cliente de Forney al +1-800-521-6038

## Información de seguridad

### Normas de seguridad principales

Seguridad en soldaduras y cortes, Norma ANSI Z49.1, de la Asociación Americana de Soldadura (American Welding Society), 8669 Doral Boulevard, Suite 130, Doral, FL 33166, Normas de Seguridad y Salud, OSHA 29, CFR 1910, del Superintendente de Documentos, Oficina de Imprenta del Gobierno de los EE. UU., Washington, D.C. 20402.

- Prácticas de seguridad recomendadas para la preparación para el soldado y corte de recipientes que contienen sustancias peligrosas, Asociación Americana de Soldadura (American Welding Society) AWS F4.1, de American Welding Society, 8669 Doral Boulevard, Suite 130, Doral, FL 33166.
- Código de Electricidad Nacional, Norma NFPA 70, de la Asociación Nacional de Protección contra Incendios (National Fire Protection Association), Batterymarch Park, Quincy, MA 02269.
- Manejo seguro de Gases comprimidos en cilindros, CGA, Panfleto P-1, de la Asociación de Gases Comprimidos (Compressed Gas Association), 1235 Jefferson Davis Highway, Suite 501, Arlington, VA 22202.
- Código de seguridad en soldaduras y cortes, Norma CSA W117.2, de la Asociación Canadiense de Estándares (Canadian Standards Association), Estándares de venta, 178 Rexdale Boulevard, Rexdale, Ontario, Canada M9W 1R3.
- Prácticas seguras para la protección ocupacional y educativa de ojos y rostro, Norma ANSI Z87.1, del Instituto Nacional Estadounidense de Estándares (American National Standards Institute), 1430 Broadway, New York, NY 10018.
- Procesos de corte y soldadura, Norma NFPA 51B, de la Asociación Nacional de Protección contra Incendios (National Fire Protection Association), Batterymarch Park, Quincy, MA 02269.

### Advertencia de la Proposición 65 de California

⚠ **ADVERTENCIA:** Este producto puede exponerlo a sustancias químicas, incluido el plomo, identificadas por el estado de California como causantes de cáncer, defectos congénitos u otro tipo de daños en la función reproductora. Para obtener más información, visite [www.P65Warnings.ca.gov](http://www.P65Warnings.ca.gov). P65 detalles en [forneyind.com](http://forneyind.com). Lávese las manos después de su uso.

### Información sobre EMF (Campos electromagnéticos)

La corriente de soldado o corte, a medida que fluye a través de los cables de soldado o corte, generará campos electromagnéticos. Ha habido, y aún existe, cierto grado de preocupación acerca de dichos campos. Sin embargo, luego de un análisis, el comité del Consejo Nacional de Investigación (National Research Council) concluyó que: "El cuerpo de la evidencia, a juicio del comité, no ha demostrado que la exposición a un campo de frecuencia eléctrica y magnética constituya una amenaza para la salud humana". No obstante, los estudios aún se están realizando y se continúa estudiando la evidencia. Hasta arribar a las conclusiones finales de la investigación, sería conveniente que minimice su exposición a campos electromagnéticos al soldar o cortar.

Para reducir los campos magnéticos en el lugar de trabajo, ponga en práctica los siguientes procedimientos:

1. Mantenga los cables juntos trenzándolos o encintándolos.
2. Coloque los cables hacia un lado y lejos del operador.
3. No enrolle los cables ni cubra su cuerpo con ellos.
4. Mantenga la fuente de energía y los cables de soldado o corte tan lejos del operador como resulte práctico.
5. Conecte la abrazadera de trabajo a la pieza tan cerca del corte o la soldadura como sea posible.

### **ACERCA DE LOS MARCAPASOS Y AUDÍFONOS:**

Las personas con marcapasos y audífonos deben consultar primero al médico. Si el médico lo autoriza, se recomienda seguir los procedimientos detallados anteriormente.

### **Protección personal**

Los procesos de soldadura de cualquier tipo pueden ser peligrosos no solo para el operador sino también para las personas situadas cerca del equipo si no se cumplen con las reglas de operación y seguridad de manera estricta.



### **EL ARCO DE SOLDADURA PRODUCE LUZ ULTRAVIOLETA E INFRARROJA MUY BRILLANTE. ESTOS RAYOS DEL ARCO DAÑAN LOS OJOS Y QUEMAN LA PIEL SI USTED NO ESTÁ DEBIDAMENTE PROTEGIDO.**

Para reducir el riesgo de lesiones causadas por los rayos del arco, lea, comprenda y siga las instrucciones de seguridad. Además, asegúrese de que cualquier persona que utiliza este equipo para soldar, o la persona que está presente en el área de soldado, también comprenda y siga estas instrucciones de seguridad. Los cascos y el filtro deben cumplir con las normas ANSI Z87.1.

- No mire un arco eléctrico sin la protección adecuada. Un arco de soldadura es extremadamente brillante e intenso y, con protección ocular inadecuada o sin ella, la retina puede quemarse, dejando un punto oscuro permanente en el campo visual. Debe usarse un protector o casco y lentes con filtro de sombra n.º 10 (como mínimo).
- No encienda un arco de soldadura hasta que todas las personas presentes y usted (el soldador) tengan puestos los protectores de soldadura y/o cascos.
- No use un casco roto o quebrado y reemplace de inmediato las lentes con filtro quebradas o rotas.
- No permita que la parte sin aislante de la pistola de alimentación de alambre toque la abrazadera de descarga a tierra o el trabajo conectado a tierra para evitar que se cree un destello de arco al entrar en contacto.
- Proporcione a las personas presentes protectores o cascos que tengan lentes con filtro de sombra adecuados.
- Use ropa de protección. La luz intensa del arco de soldadura puede quemar la piel del mismo modo que el sol, incluso a través de ropa liviana. Utilice ropa oscura de material grueso. La camisa que use debe ser de manga larga, con el cuello abotonado para proteger el pecho y el cuello.
- Protéjase del reflejo de los rayos del arco. Los rayos del arco pueden reflejarse en superficies brillantes, como una superficie con pintura brillante, aluminio, acero inoxidable y vidrio. El reflejo de los rayos del arco pueden causar lesiones oculares, incluso cuando se usa un casco protector u otro tipo de protección. Si realiza una soldadura con una superficie reflectante detrás de usted, los rayos del arco pueden rebotar en la superficie y en las lentes con filtro. Pueden ingresar a su casco o protector y a los ojos. Si existe un fondo reflectante en el área de soldado, quítelo o cúbralo con algo que no sea inflamable ni reflectante. Los rayos reflectantes del arco también pueden causar quemaduras en la piel, además de lesiones oculares.

- Las chispas despedidas pueden causar lesiones. Use el equipo de seguridad adecuado para protegerse los ojos y el rostro. Dé forma al electrodo de tungsteno con la amoladora en un lugar seguro y usando la protección adecuada. Mantenga alejado de los materiales inflamables y evite incendios causados por chispas despedidas.



### **¡LOS HUMOS, GASES Y VAPORES PUEDEN CAUSAR MALESTAR, ENFERMEDAD Y LA MUERTE!**

Para reducir los riesgos, lea, comprenda y siga las instrucciones de seguridad. Además, asegúrese de que cualquier persona que utiliza este equipo para soldar, o la persona que está presente en el área de soldado, también comprenda y siga estas instrucciones de seguridad.

- Lea y comprenda la hoja de datos de seguridad (SDS) y la hoja de datos de seguridad del material (MSDS) del fabricante.
- No suelde en un área hasta que se verifique si existe una ventilación adecuada, como se describe en la norma ANSI Z49.1. Si la ventilación no es adecuada para el intercambio de todos los humos y gases generados durante el proceso de soldadura con aire fresco, no suelde, salvo que usted (el soldador) y todas las personas presentes estén usando respiradores con suministro de aire.
- No caliente metales que contengan o estén recubiertos con materiales que produzcan humos tóxicos (como acero galvanizado), salvo que se retire el revestimiento. Asegúrese de que el área esté bien ventilada, y que el operador y todas las personas presentes estén usando respiradores con suministro de aire.
- No suelde, corte ni caliente plomo, zinc, cadmio, mercurio, berilio, antimonio, cobalto, manganeso, selenio, arsénico, cobre, plata, bario, cromo, vanadio, níquel o metales similares sin asesoramiento profesional y una inspección de la ventilación del área de soldado. Estos metales producen humos extremadamente tóxicos que pueden causar malestar, enfermedad o la muerte.
- No suelde ni corte en áreas cercanas a solventes clorados. Los vapores de hidrocarburos clorados, como el tricloroetileno y percloroetileno, se pueden descomponer por acción del calor de un arco eléctrico o su radiación ultravioleta. Estas acciones pueden causar fosgeno, un gas altamente tóxico, además de otros gases que irritan los pulmones y los ojos. No suelde ni corte en lugares donde los vapores solventes puedan llegar al área de trabajo, o en donde la radiación ultravioleta pueda penetrar áreas que contengan incluso pequeñas cantidades de esos vapores.
- No suelde en un espacio cerrado, salvo que esté ventilado o el operador (y cualquier otra persona en el área) esté usando un respirador con suministro de aire.
- Deje de soldar si presenta irritación momentánea en los ojos, nariz o garganta, ya que es una señal de ventilación inadecuada. Detenga la tarea y tome las medidas necesarias para mejorar la ventilación en el área de soldado. No continúe con las tareas de soldado si persiste el malestar físico.

### **Prevención de incendios**



### **¡LOS INCENDIOS O EXPLOSIONES PUEDEN CAUSAR LA MUERTE, LESIONES Y DAÑOS MATERIALES!**

Para reducir estos riesgos, lea, comprenda y siga las instrucciones de seguridad. Además, asegúrese de que cualquier persona que utiliza este equipo para soldar, o la persona que está presente en el área de soldado, también comprenda y siga estas instrucciones de seguridad. Recuerde: por naturaleza, la soldadura por arco produce chispas, salpicaduras calientes, gotas de metal fundido, escorias calientes y partes metálicas calientes que pueden iniciar incendios, quemar la piel y dañar los ojos.

- No use guantes ni prendas que contengan aceite, grasa u otras sustancias inflamables.
- No use productos inflamables en el cabello.
- No toque el cordón de soldadura o charco de fusión de soldadura caliente hasta que esté completamente frío.

- No suelde en un área hasta que se verifique y se quiten los materiales combustibles y/o inflamables. Tenga en cuenta que las chispas y la escoria pueden volar 35 pies (10,7 m) y pueden pasar a través de pequeñas grietas y aberturas. Si el trabajo de soldado y los materiales combustibles no pueden estar a una distancia de separación de un mínimo de 35 pies (10,7 m), protéjase de la ignición con cubiertas o protectores adecuados de ajuste ceñido y resistentes al fuego.
- No suelde en paredes hasta verificar y eliminar los materiales combustibles apoyados sobre el otro lado de las paredes.
- No suelde, corte ni realice otro tipo de trabajo en barriles, tambores, tanques u otros recipientes usados que hayan tenido una sustancia inflamable o tóxica. Las técnicas para la eliminación de sustancias y vapores inflamables, a fin de hacer que un recipiente usado sea seguro para soldadura o corte, son muy complejas y requieren de capacitación y entrenamiento especial.
- No encienda un arco sobre un cilindro de gas o de aire comprimido. Si lo hace, creará un área frágil que puede dar lugar a una ruptura violenta de inmediato o en un momento posterior, como consecuencia de un mal manejo.
- No suelde ni corte en un área donde el aire puede contener polvo inflamable (como polvo de granos), gas o vapores de líquidos (como gasolina). No manipule el metal caliente, como la pieza de trabajo o las colillas de electrodos, con las manos sin protección.
- Use guantes de cuero, camisa gruesa de manga larga, pantalones sin dobladillo, calzado de caña alta, casco y gorra. Si es necesario, use ropa de protección adicional, como chalecos o mangas de cuero, polainas o delantales resistentes al fuego. Las chispas y las salpicaduras de metal caliente se pueden alojar en las mangas arremangadas, los pantalones con dobladillo o los bolsillos. Las mangas y el cuello deben mantenerse abotonados y se deben quitar los bolsillos del frente de la camisa.
- Tenga a mano el equipo extintor de incendios para que pueda utilizarlo de inmediato. Se recomienda un extintor de incendios de polvo químico portátil de tipo ABC.
- Use tapones para los oídos al realizar soldaduras en elevación a fin de evitar que las salpicaduras o escorias le caigan en los oídos.
- Asegúrese de que el área de soldado tenga un piso bueno, firme y seguro, de preferencia de concreto o mampostería, sin mosaicos, alfombras o materiales inflamables.
- Proteja las paredes, los techos y los pisos inflamables con cubiertas o protectores resistentes al calor.
- Verifique el área de soldado, antes de abandonarla, para asegurarse de que no hayan quedado chispas, metal ardiente o escoria ni llamas.
- Use prendas sin derivados del petróleo u otras sustancias inflamables, como guantes de cuero, camisas gruesas de algodón sin materiales sintéticos, pantalones sin dobladillo, calzado cerrado. Mantenga el cabello largo recogido hacia atrás.
- Quite los materiales combustibles como encendedores y fósforos antes de soldar.
- Siga los requisitos de la OSHA y NFPA para trabajos en caliente y tenga un extintor cerca.

## Radiación de alta frecuencia

- La alta frecuencia (HF) puede interferir con la radionavegación, servicios de seguridad, computadoras y equipos de comunicación.
- Es responsabilidad del usuario hacer que un electricista calificado resuelva rápidamente cualquier problema de interferencia que pueda derivar de la instalación. El electricista debe verificar regularmente y realizar tareas de mantenimiento en la instalación.
- Deje de usar el equipo si la Comisión Federal de Comunicaciones (FCC) le notifica sobre interferencias.
- Mantenga las puertas y paneles de las fuentes de HF completamente cerrados y mantenga la distancia entre electrodos en el ajuste correcto.

## Soldadura por arco

- Las computadoras y los equipos controlados por computadora pueden dañarse con la energía electromagnética.
- Asegúrese de que todo el equipo sea compatible con la energía electromagnética.
- Mantenga los cables de soldar cortos para reducir la interferencia.
- Siga el manual para instalar y conectar a tierra la máquina.
- Si la interferencia continúa, proteja el área de trabajo o traslade la máquina soldadora.

## Descarga eléctrica



### **ADVERTENCIA: ¡LAS DESCARGAS ELÉCTRICAS PUEDEN CAUSAR LA MUERTE!**

Para reducir el riesgo de muerte o lesiones graves causadas por descarga eléctrica, lea, comprenda y siga las instrucciones de seguridad. Además, asegúrese de que cualquier persona que utiliza este equipo para soldar, o la persona que está presente en el área de soldado, también comprenda y siga estas instrucciones de seguridad.

**¡IMPORTANTE! PARA REDUCIR EL RIESGO DE MUERTE, LESIONES O DAÑOS MATERIALES, NO INTENTE UTILIZAR** este equipo para soldar hasta que haya leído y comprendido el siguiente resumen de seguridad.

- De ninguna manera, entre en contacto físico con alguna pieza del circuito de corriente de soldado. El circuito de corriente de soldado incluye lo siguiente:
  - a. la pieza de trabajo o cualquier material conductor que hace contacto con este,
  - b. la abrazadera de descarga a tierra,
  - c. el electrodo o alambre para soldar,
  - d. cualquier pieza de metal en el portaelectrodo, o una pistola de alimentación de alambre.
- No suelde en un lugar húmedo ni entre en contacto con una superficie húmeda o mojada.
- No intente soldar si alguna parte de la ropa o el cuerpo está mojado.
- No permita que el equipo para soldar entre en contacto con agua o humedad.
- No arrastre los cables de soldar, la pistola de alimentación de alambre o el cable eléctrico de la soldadora por agua o humedad ni permita que entren en contacto con tales elementos.
- No toque la soldadora ni intente encenderla o apagarla si alguna parte del cuerpo o la ropa está húmeda o si usted está en contacto físico con agua o humedad.
- No intente enchufar la soldadora en la fuente de energía si alguna parte del cuerpo o la ropa está húmeda o si usted está en contacto físico con agua o humedad.
- No conecte la abrazadera de la pieza de trabajo de la soldadora a conductos eléctricos ni suelde en estos.
- No modifique el cable eléctrico ni el enchufe de este de ninguna manera.
- No intente conectar la soldadora en la fuente de energía si el terminal de conexión a tierra en el enchufe del cable eléctrico se dobló, está roto o falta.
- No permita que la soldadora esté conectada a la fuente de energía ni intente soldar si la soldadora, los cables de soldar, el sitio para soldar o el cable eléctrico de la soldadora están expuestos a cualquier forma de precipitación atmosférica, o si están rociados con agua salada.
- No transporte los cables de soldar enrollados alrededor de los hombros ni en ninguna otra parte del cuerpo, cuando están conectados a la soldadora.
- No modifique el cableado, las conexiones a tierra, los interruptores ni los fusibles en este equipo para soldar.



- Use guantes de soldadura para ayudar a proteger las manos del circuito de soldadura.
- Mantenga todos los recipientes con líquido lo suficientemente lejos de la soldadora y del área de trabajo para que en caso de derrame, el líquido no entre en contacto con alguna pieza de la soldadora o el circuito de soldadura eléctrica.
- Reemplace de inmediato las piezas agrietadas o rotas que tienen aislamiento o actúan como aislantes, como los cables de soldar, el cable eléctrico o el portaelectrodo.
- Cuando no esté soldando, corte el alambre a la altura de la pieza de contacto o quite el electrodo del portaelectrodo.

## Ruido



El ruido puede causar la pérdida permanente de audición. Los procesos de soldadura pueden causar niveles de ruido que exceden los límites de seguridad. Debe proteger sus oídos del ruido alto a fin de evitar la pérdida permanente de audición.

- Para proteger su audición del ruido alto, use tapones de protección para los oídos y/u orejeras.
- Los niveles de ruido se deben medir para asegurarse de que los decibeles (ruido) no excedan los niveles de seguridad.

## Información de seguridad adicional

Para obtener más información sobre las medidas de seguridad para soldar, consulte las siguientes normas y cumpla con ellas, según corresponda.

- Norma ANSI Z49.1 - SEGURIDAD EN SOLDADURAS Y CORTES: se puede obtener en la Asociación Americana de Soldadura (American Welding Society), 550 NW Le Jeune Road, Miami, FL 33126 Teléfono +1(800) 443-9353, Fax +1(305) 443-7559 - [www.amweld.org](http://www.amweld.org) o [www.aws.org](http://www.aws.org)
- Norma ANSI Z87.1 - PRÁCTICAS SEGURAS PARA LA PROTECCIÓN OCUPACIONAL Y EDUCATIVA DE OJOS Y ROSTRO: se puede obtener en el Instituto Nacional Estadounidense de Estándares (American National Standards Institute), 11 West 42nd St., New York, NY 10036 Teléfono +1(212) 642-4900, Fax +1(212) 398-0023 - [www.ansi.org](http://www.ansi.org)
- Norma NFPA 518 - PROCESO DE CORTE Y SOLDADURA: se puede obtener en la Asociación Nacional de Protección contra Incendios (National Fire Protection Association), 1 Batterymarch Park, P.O. Box 9101, Quincy, MA 02269-9101 Teléfono +1(617) 770-3000 Fax +1(617) 770-0700 - [www.nfpa.org](http://www.nfpa.org)
- Norma de la OSHA 29 CFR, Parte 1910, Subparte Q., SOLDADURA, CORTE Y SOLDADURA FUERTE: se puede obtener en la oficina estatal de la OSHA o en el Departamento de trabajo de EE. UU. OSHA, Oficina de Asuntos Públicos, Sala N3647, 200 Constitution Ave., Washington, DC 20210 - [www.osha.gov](http://www.osha.gov)
- Norma CSA W117.2 - Código de SEGURIDAD EN SOLDADURAS Y CORTES: se puede obtener en la Asociación Canadiense de Estándares (Canadian Standards Association), 178 Rexdale Blvd., Etobicoke, Ontario M9W 1R3 - [www.csa.ca](http://www.csa.ca)
- Norma A6.0 de la Asociación Americana de Soldadura (American Welding Society). RECIPIENTES PARA SOLDAR Y CORTAR QUE HAYAN CONTENIDO MATERIALES COMBUSTIBLES: se puede obtener en la Asociación Americana de Soldadura (American Welding Society), 550 NW Le Jeune Road, Miami, FL 33126 Teléfono +1(800) 443-9353, Fax +1(305) 443-7559 - [www.amweld.org](http://www.amweld.org) o [www.aws.org](http://www.aws.org)



<b>GARANTÍA</b> .....	<b>55</b>
<b>INFORMACIÓN DE SEGURIDAD</b> .....	<b>56</b>
NORMAS DE SEGURIDAD PRINCIPALES.....	56
ADVERTENCIA DE LA PROPOSICIÓN 65 DE CALIFORNIA .....	56
INFORMACIÓN SOBRE EMF (CAMPOS ELECTROMAGNÉTICOS).....	56
PROTECCIÓN PERSONAL .....	57
PREVENCIÓN DE INCENDIOS.....	58
RADIACIÓN DE ALTA FRECUENCIA .....	59
SOLDADURA POR ARCO .....	60
DESCARGA ELÉCTRICA.....	60
RUIDO.....	61
INFORMACIÓN DE SEGURIDAD ADICIONAL .....	61
<b>ÍNDICE</b> .....	<b>62</b>
<b>INSTALACIÓN</b> .....	<b>63</b>
ESPECIFICACIONES DE LA SOLDADORA .....	63
SELECCIÓN DEL LUGAR .....	63
CONEXIÓN A LA FUENTE DE ENERGÍA.....	63
VENTILACIÓN .....	64
ADVERTENCIAS ADICIONALES .....	64
<b>ENSAMBLAJE</b> .....	<b>64</b>
CONEXIÓN DE LA ANTORCHA .....	64
CONEXIÓN DEL CILINDRO DE GAS Y DEL REGULADOR .....	65
GUÍA DE GASES DE PROTECCIÓN .....	65
CARGA DE ALAMBRE .....	66
REEMPLAZO DEL REVESTIMIENTO DE ALAMBRE .....	67
CÓMO ELEGIR EL REVESTIMIENTO DE ALAMBRE PARA ANTORCHAS CON CONEXIÓN DIRECTA Y EUROPEA.....	67
SOLDADURA CON NÚCLEO DE FUNDENTE (FCAW) .....	67
SOLDADURA MIG (GMAW) .....	67
CUADRO DE CONFIGURACIONES DE SOLDADURAS MIG (GMAW) .....	68
<b>FUNCIONAMIENTO</b> .....	<b>69</b>
DESCRIPCIÓN.....	69
CONTROLES DE LA SOLDADORA.....	69
PROTECCIÓN CONTRA SOBRECARGA TÉRMICA.....	70
GUÍA INFORMATIVA DE LA HOJA DE DATOS .....	70
PREPARACIÓN DE LA SOLDADURA .....	70
FACTORES A CONSIDERAR PARA OBTENER LOS MEJORES RESULTADOS DE LA SOLDADURA.....	71
SOLDADURA DE ALUMINIO.....	71
<b>MANTENIMIENTO Y SERVICIO TÉCNICO</b> .....	<b>72</b>
MANTENIMIENTO GENERAL.....	72
<b>SOLUCIÓN DE PROBLEMAS</b> .....	<b>72</b>
<b>DIAGRAMA DE CABLEADO</b> .....	<b>75</b>
<b>LISTA DE HERRAMIENTAS Y PIEZAS DE REPUESTO</b> .....	<b>76</b>
<b>DIAGRAMA DE PIEZAS</b> .....	<b>77</b>
<b>LISTA DE REPUESTOS DE ANTORCHA CON PISTOLA MIG</b> .....	<b>78</b>
<b>NOTAS DEL USUARIO</b> .....	<b>79</b>

# Instalación

## Especificaciones de la soldadora

**Tabla 1. Especificaciones de la soldadora**

Voltios primarios (de entrada)	120 V CA
Salida de corriente de soldadura	140 A como máximo
Fase	Monofásica
Frecuencia	60 Hz
Ciclo de tarea nominal	20 %
Rango de diámetro del alambre:	Hasta 0,030" (0,8 mm)

## Selección del lugar



### **ASEGÚRESE DE UBICAR LA SOLDADORA DE ACUERDO CON LAS SIGUIENTES PAUTAS:**

- En áreas libres de humedad y polvo.
- En áreas con temperatura ambiente entre 30 y 90 °F (-1 a 32 °C).
- En áreas libres de aceite, vapor y gases corrosivos.
- En áreas no expuestas a vibraciones o descargas anormales.
- En áreas no expuestas a la luz directa del sol o la lluvia.
- Colóquela a una distancia de 12" (30,5 cm) o más de las paredes u obstrucciones similares que podrían limitar el flujo de aire natural para el enfriamiento.

## Conexión a la fuente de energía

Antes de hacer cualquier conexión eléctrica, asegúrese de que el voltaje de entrada y la frecuencia disponible en el lugar sean los estipulados en la etiqueta de clasificación de su soldadora.

El voltaje de entrada principal debe encontrarse dentro de  $\pm 10\%$  del voltaje nominal de entrada principal. Un voltaje demasiado bajo puede causar un rendimiento de soldadura deficiente. Un voltaje de entrada demasiado alto puede hacer que los componentes se sobrecalienten y posiblemente fallen. El tomacorriente de la soldadora debe:

- estar instalado correctamente, de ser necesario, por un electricista calificado;
- tener la conexión a tierra (eléctrica) correcta de acuerdo con las reglamentaciones locales;
- estar conectado al circuito eléctrico del tamaño correcto.

### **NOTA:**

- Revise el cable de suministro de forma periódica para ver si presenta grietas o alambres expuestos. Si no se encuentra en buenas condiciones, hágalo reparar en un centro de servicio técnico.
- No jale del cable de entrada de energía de forma violenta para desconectarlo del tomacorriente.
- No coloque materiales o herramientas sobre el cable de suministro de energía. Este puede estar dañado y producir una descarga eléctrica.
- Mantenga el cable de suministro alejado de fuentes de calor, aceites, solventes o bordes filosos.
- Si usa un cable de extensión, manténgalo lo más recto posible. Use 10 AWG.

## Ventilación

Dado que la inhalación de vapores de soldadura puede resultar nociva, asegúrese de que el área de soldadura esté correctamente ventilada.

## Advertencias adicionales

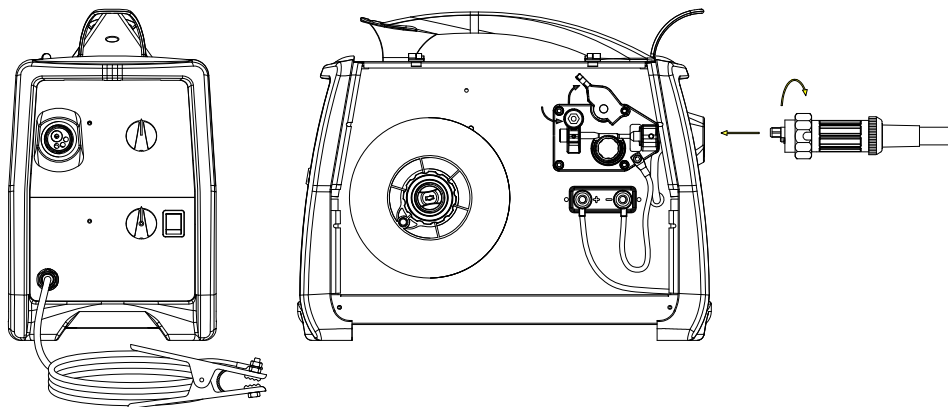
### **PARA SU SEGURIDAD, ANTES DE CONECTAR LA FUENTE DE ENERGÍA A LA LÍNEA, SIGA ESTAS INSTRUCCIONES CUIDADOSAMENTE:**

- Se debe insertar un interruptor de dos polos adecuado antes del tomacorriente principal. El interruptor debe contar con fusibles de retardo.
- La conexión a tierra debe hacerse con un enchufe de dos polos compatible con el toma mencionado anteriormente.
- Cuando se trabaja en un espacio cerrado, la soldadora debe mantenerse fuera del área de soldadura y el cable con conexión a tierra debe estar sujeto a la pieza de trabajo. Nunca trabaje en espacios confinados húmedos o mojados.
- No use cables de entrada o de soldar dañados.
- La antorcha para soldar nunca debe apuntar hacia el operador u otras personas.
- La soldadora nunca debe operarse sin sus paneles adosados. Esto podría causar lesiones graves al operador y podría dañar el equipo.

## Ensamblaje

### Conexión de la antorcha

Conecte la antorcha MIG estándar al conector roscado ubicado en el frente de la soldadora y ajústela con firmeza a mano.



## Conexión del cilindro de gas y del regulador

El cilindro de gas (no provisto) debe estar ubicado en la parte trasera de la soldadora, en un área bien ventilada y sujeto con firmeza al banco de trabajo o la pared para asegurarse de que no se caiga. Por razones de seguridad y economía, asegúrese de que el regulador esté completamente cerrado (girado en sentido antihorario) cuando no esté soldando y cuando coloque o quite el cilindro de gas.

- Gire la perilla de ajuste del regulador en sentido antihorario para asegurarse de que la válvula esté completamente cerrada.
- Atornille el regulador de gas hacia abajo en la válvula de la botella de gas y ajústelo.
- Conecte la manguera de gas al regulador asegurándola con la abrazadera/tuerca provista.
- Abra la válvula del cilindro y luego fije el flujo de gas en aproximadamente 20 a 35 pies cúbicos por hora (0,6 a 1 metro cúbico por hora) en el regulador.
- Ponga en funcionamiento el gatillo de la antorcha para asegurarse de que el gas fluya por ella.



**ADVERTENCIA:** Los cilindros están altamente presurizados. Manipúlelos con cuidado. La manipulación inapropiada o el uso indebido de los cilindros de gas comprimido puede causar accidentes graves. No deje caer, tire ni exponga el cilindro al calor excesivo, llamas o chispas. No lo golpee contra otros cilindros.

## Guía de gases de protección

METAL	CON GAS	NOTA
Acero suave	CO2	El argón controla las salpicaduras.
	Argón + CO2 Argón + CO2 + Oxígeno	El oxígeno mejora la estabilidad del arco.
Aluminio	Argón	Estabilidad del arco, buena fusión y salpicaduras mínimas.
	Argón + Helio	Entrada de mayor calor apropiada para secciones gruesas. Mínima porosidad.
Acero inoxidable	Argón + CO2 + Oxígeno Argón + Oxígeno	Estabilidad del arco. Salpicaduras mínimas.
Cobre, níquel y aleaciones	Argón	Apropiado para calibres bajos debido a la baja fluidez del baño de fusión de soldadura.
	Argón + Helio	Entrada de mayor calor apropiada para secciones gruesas.



**CERCIÓRESE DE QUE EL SUMINISTRO ELÉCTRICO Y EL SUMINISTRO DE GAS ESTÉN DESCONECTADOS. ANTES DE PROCEDER, quite la boquilla y la pieza de contacto de la antorcha.**

- Abra el panel lateral.
- Afloje la tuerca del soporte de bobina (tambor de freno) y quite el resorte y el aro externo. (Fig. 4)
- Quite la protección de plástico de la bobina (4) y coloque la bobina de alambre en el soporte de bobina.
- Instale el aro externo, el resorte y la tuerca de bloqueo de plástico nuevamente. Estas piezas forman el sistema de freno de velocidad de la bobina de alambre. **NOTA:** No

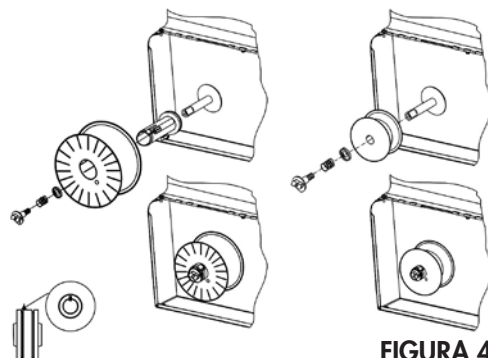


FIGURA 4

ajuste demasiado la tuerca. La presión excesiva fuerza el motor de alimentación de alambre. La presión insuficiente, por otro lado, no permite la detención inmediata de la bobina de alambre al final de la soldadura.

- Afloje y baje la perilla de plástico (A) (Fig. 5). Abra el brazo de presión (B) del alimentador.
- Desconecte el alambre del borde de la bobina de alambre con cuidado para mantener la tensión en el extremo del alambre. Corte una sección pequeña del extremo del alambre para que sea recto. Inserte el extremo recto en la guía de entrada del alambre (C) pasando el rodillo de alimentación de alambre y dentro del revestimiento de alambre. Baje el brazo de presión (B) y levante la perilla de ajuste de presión (A) a su lugar. Conecte el cable de entrada de energía y encienda la soldadora. Presione el gatillo de la antorcha y observe la alimentación del alambre dentro del revestimiento de la antorcha. Ajuste la presión del alambre con la perilla (A) para asegurar una alimentación pareja sin deslizamiento. No apriete en exceso el ajuste de la presión, ya que ello puede dañar el motor. Cierre el panel lateral de la soldadora. Quite la boquilla y la pieza de contacto de la antorcha para soldar. Enderece el cable de la antorcha para eliminar enrollamientos o pliegues. Mantenga apretado el gatillo de la antorcha hasta que el alambre aparezca en el extremo del cuello de la antorcha. Apague la soldadora y coloque la pieza de contacto y la boquilla.

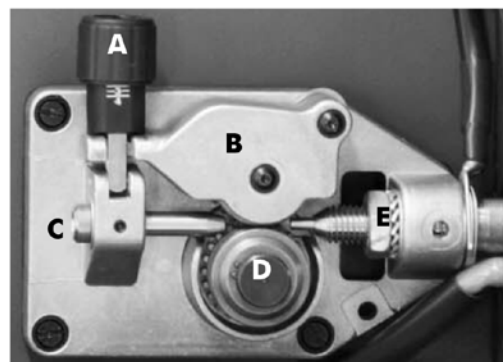


FIGURA 5



**ADVERTENCIA:** Mantenga la antorcha recta. Al insertar un nuevo alambre a través del revestimiento, asegúrese de que el alambre tenga un corte limpio (sin rebabas ni ángulos) y que al menos 1" (25,4 mm) del extremo esté recta (sin curvas). No seguir estas instrucciones puede causar daños en el revestimiento.



**ADVERTENCIA:** Al cambiar el diámetro de alambre usado, o reemplazar el rodillo de alimentación de alambre, asegúrese de que en el interior, en la parte más cercana a la máquina, esté la ranura correcta para el diámetro de alambre seleccionado. El alambre es impulsado por la ranura interior. Los rodillos de alimentación están marcados en el costado con la identificación de la ranura más próxima de ese lado.

**ADVERTENCIA:** Para evitar lesiones, al cargar alambre y observarlo salir a través del cuello de la antorcha, no sostenga la antorcha cerca de su cara. En lugar de eso, dirija el alambre hacia el piso. No coloque los dedos cerca de los rodillos de alimentación de alambre cuando el alimentador de alambre esté en funcionamiento.

## Reemplazo del revestimiento de alambre

**CERCIÓRESE DE QUE EL SUMINISTRO ELÉCTRICO Y EL SUMINISTRO DE GAS ESTÉN DESCONECTADOS.**

- Desconecte la antorcha de la máquina.
- Colóquela sobre una superficie plana y quite la tuerca de bronce cuidadosamente (Fig. 6) (1).
- Jale del revestimiento para quitarlo de la manguera.
- Instale el nuevo revestimiento y coloque nuevamente la tuerca de bronce (Fig. 6) (1). En caso de reemplazar un revestimiento de alambre de teflón, siga estas instrucciones:
- Instale el nuevo revestimiento seguido del anillo metálico (3).
- Inserte la junta tórica (4) en el anillo metálico del revestimiento de alambre (4) y coloque nuevamente la tuerca de bronce (1).
- Corte el revestimiento de alambre cerca de la tuerca de bronce. **NOTA:** La longitud del nuevo revestimiento de alambre debe ser la misma que la del revestimiento que acaba de quitar de la manguera.
- Conecte la antorcha a la máquina e instale el alambre en el sistema de alimentación.

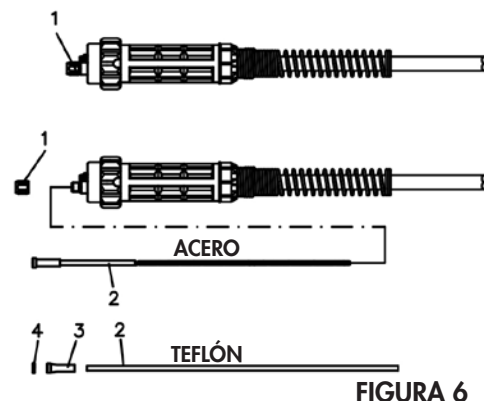


FIGURA 6

## Cómo elegir el revestimiento de alambre para antorchas con conexión directa y europea

Básicamente, existen dos tipos de revestimientos de alambre: Acero y teflón. Los revestimientos de alambre de acero pueden estar recubiertos o no recubiertos. Los revestimientos de alambre recubiertos se utilizan para antorchas refrigeradas por aire. Los revestimientos de alambre de teflón se recomiendan para soldaduras de aluminio dado que permiten la alimentación continua de alambre.

## Soldadura con núcleo de fundente (FCAW)

- Conecte el cable con conexión a tierra al terminal positivo del panel de cambio de polaridad ubicado dentro del compartimiento de la bobina.
- Conecte el cable de trabajo al terminal negativo del panel de cambio de polaridad ubicado dentro del compartimiento de la bobina.

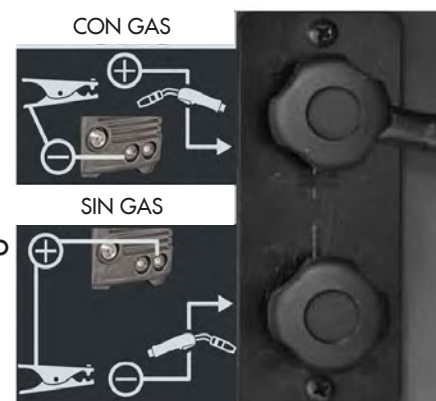


FIGURA 7

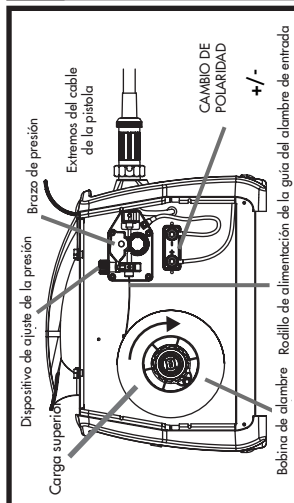
## Soldadura MIG (GMAW)

- Conecte el cable con conexión a tierra al terminal negativo del panel de cambio de polaridad ubicado dentro del compartimiento de la bobina.
- Conecte el cable de trabajo al terminal positivo del panel de cambio de polaridad ubicado dentro del compartimiento de la bobina.

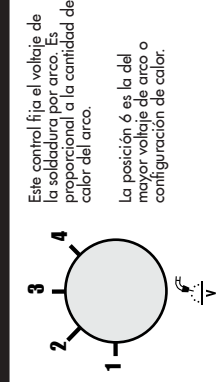
# Cuadro de configuraciones de soldaduras MIG (GMAW)

## CUADRO DE CONFIGURACIONES DE 140 MIG

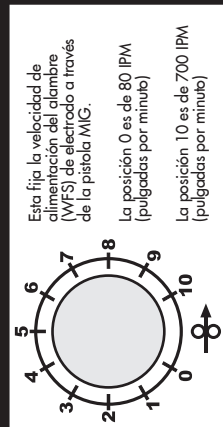
MATERIAL (Alambre)	CON GAS	ALAMBRE Ø	ESPESOR DEL MATERIAL									
			Calibre 24 0,0236" (0,6 mm)	Calibre 22 0,0315" (0,8 mm)	Calibre 20 0,0354" (0,9 mm)	Calibre 18 0,0236" (1,2 mm)	1/8" (3 mm)	3/16" (4,5 mm)	1/4" (6,4 mm)			
<b>Perilla de regulación</b>												
<b>Acero suave</b>	Alambre sólido 75 % A + 25 % CO <sub>2</sub> (ER70S-6)	0,023" (0,6 mm)	1	3	2	7,5	2	3	4	9	-	
		0,030" (0,8 mm)	1	2	1	3,5	2	3	4	8	8	
		0,035" (0,9 mm)	-	-	2	3	2	3	4	8	8	
	Con núcleo de fundente (Sin gas) (E71T-GS)	0,030" (0,8 mm)	1	2	1	3	2	4	4	4	9	9
		0,035" (0,9 mm)	-	-	1	2	2	4	4	4	8,5	8,5
		0,023" (0,6 mm)	1	3	1	3,5	2	3	4	4	9	8
<b>Acero inoxidable</b>	Alambre sólido 98 % Ar 2 % CO <sub>2</sub>	0,030" (0,8 mm)	-	2	1	3,5	2	3	4	8	8	
		0,035" (0,9 mm)	-	-	1	3	2	3	4	8	8	
		0,023" (0,6 mm)	1	3	1	3,5	2	3	4	4	8	8



### Control de voltaje de arco



### Control de velocidad del alambre



**WELDING IN AMERICA.**  
SINCE THE BEGINNING.

Forney Industries, Inc.  
www.forneyind.com



# Funcionamiento

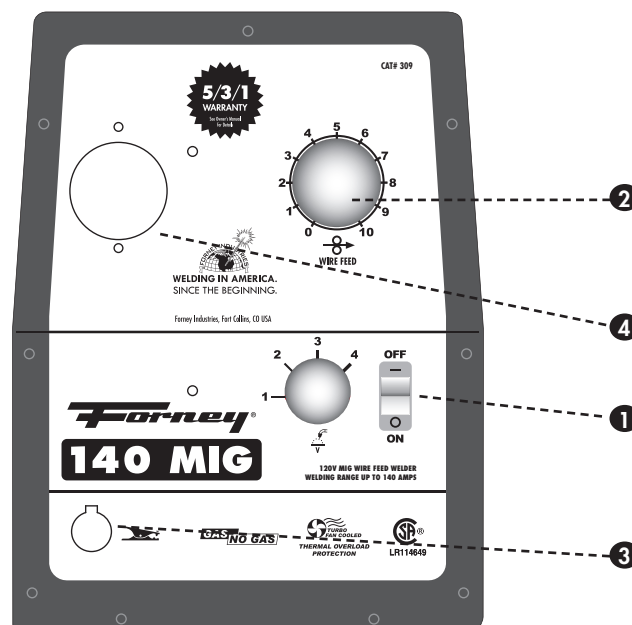
## Descripción

La soldadora MIG 140 de Forney está diseñada para usarse en trabajos que incluyan mantenimiento y fabricación. Es ideal para aplicaciones tales como las agrícolas, automotrices y de reparaciones. Esta máquina con transformador se alimenta con corriente hogareña estándar de 120 V y produce una salida de 140 A. Entre los diámetros de alambre aceptables para usarse en esta máquina, se incluyen los de 0,024" (0,6 mm) y 0,030" (0,8 mm). Las MIG 190 y MP 190 de Forney tienen capacidad para aceptar diámetros de alambre de hasta 0,035" (0,9 mm). Los tamaños de bobinas compatibles con esta máquina son 4" (10,2 cm) y 8" (20,3 cm) y deben cargarse en sentido horario, para que se alimente el alambre desde la parte superior hacia el interior del sistema de alimentación del alambre. Esta máquina puede soldar materiales de hasta 1/4" (6,4 mm) de espesor.

Las unidades pueden usarse con la antorcha estándar.

## Controles de la soldadora

1. Interruptor principal ON/OFF (ENCENDIDO/APAGADO) y ajuste de voltaje para soldar
2. Perilla de ajuste de alimentación de alambre:  
Para aumentar la velocidad del alambre, gire el potenciómetro en sentido horario; para reducirla, gírelo en sentido antihorario. El mismo procedimiento disminuye los valores de los parámetros de soldadura. Gire la perilla lentamente.
3. Abrazadera de descarga a tierra
4. Antorcha/Pistola MIG



## Protección contra sobrecarga térmica



**ADVERTENCIA:** Si se excede el ciclo de tarea de la soldadora, un termostato corta la energía de forma automática para evitar el sobrecalentamiento de la máquina. Si sucede esto, no desenchufe la máquina mientras se esté enfriando. El termostato se restablecerá de forma automática y usted podrá continuar soldando. El termostato es un dispositivo de seguridad para protección y normalmente la soldadora no sufre ningún daño, salvo que se sobrecargue con frecuencia; en ese caso se producirán daños con el tiempo.

## Guía informativa de la hoja de datos

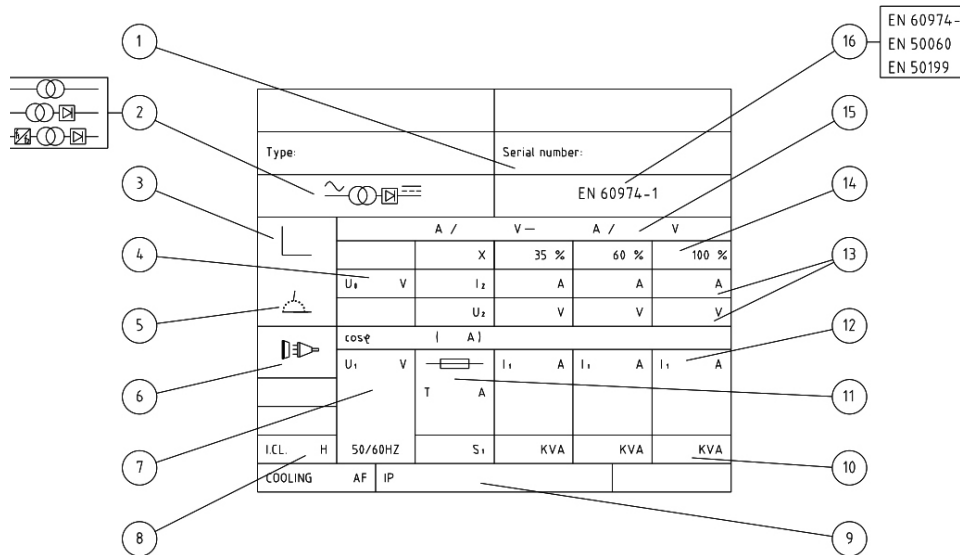


FIG. 15

- |   |  |
|---|--|
| 1. Número de serie de la unidad                     | 9. Grado de protección                     |
| 2. Modelo de soldadora                              | 10. Potencia                               |
| 3. Tipo de característica                           | 11. Tamaño del fusible principal necesario |
| 4. Voltaje sin carga clasificado Mín. - Máx.        | 12. Corriente de suministro eléctrico      |
| 5. Tipo de soldadura                                | 13. Suministro y voltaje de soldado        |
| 6. Símbolo del suministro principal y nro. de fases | 14. Factor de potencia                     |
| 7. Valor clasificado del voltaje de entrada         | 15. Rango de control (corriente/voltaje)   |
| 8. Letra del código para el grado de aislamiento    | 16. Norma de referencia                    |

## Preparación de la soldadura

- Coloque la abrazadera de descarga a tierra en el metal desnudo a soldar, asegurándose de que haga buen contacto;
- Cerciórese de que la ranura del rodillo de alambre en el rodillo se corresponda con el diámetro del alambre que va a usar.
- Enchufe la máquina a un tomacorriente adecuado.
- Abra por completo la válvula del cilindro de gas. Ajuste el regulador de presión de gas a la velocidad de flujo correcta.

## Factores a considerar para obtener los mejores resultados de la soldadura

Se debe contar con algo de experiencia para ajustar y usar una soldadora MIG. Para soldar con una MIG, hay dos parámetros fundamentales: el voltaje de soldadura y la velocidad del alambre. La corriente de soldadura es el resultado de estos dos ajustes.

- Fije los controles de voltaje y alimentación de alambre en posiciones apropiadas para el espesor del material a soldar. La corriente de soldadura varía en función de la velocidad de alimentación del alambre. Para una salida de corriente de soldadura baja, el potenciómetro de la velocidad de alimentación del alambre debe fijarse en el extremo inferior de la escala de velocidad de alimentación del alambre. Si se gira el potenciómetro del control de velocidad de alimentación del alambre en sentido horario, esto aumentará la velocidad de alimentación del alambre y la corriente de soldadura. El voltaje de soldado se ajusta para que coincida con la velocidad de alimentación del alambre (corriente de soldadura). Progresivamente seleccione posiciones de voltaje más alto a medida que incrementa la velocidad del alambre.

El aumento del voltaje de soldado conduce a un arco más largo (sin afectar la corriente significativamente). Por el contrario, un voltaje de soldado menor produce un arco más corto (nuevamente, la corriente no cambia significativamente). Un cambio en el diámetro del alambre deriva en parámetros distintos. Un alambre de un diámetro menor requiere un aumento en la velocidad de alimentación del alambre para alcanzar la misma corriente. Si se exceden determinados límites, no se podrá obtener una soldadura satisfactoria. Estos son:

- A) Alimentar el cable demasiado rápido (demasiado alto con respecto al voltaje de soldado) ocasiona vibraciones en la antorcha. Esto se debe a que el electrodo de alambre se sumerge en el charco de fusión y no puede derretirse lo suficientemente rápido.
- B) Fijar el voltaje demasiado alto (demasiado alto con respecto a la velocidad de alimentación del alambre) provocará un arco excesivo e inestable. Si aumenta el voltaje aún más, la pieza de contacto se quemará.
- C) La velocidad excesiva del alambre puede corregirse por medio del aumento del voltaje del arco. El límite de este ajuste depende del espesor del material que se va a soldar (sobrepasar determinado límite hará que se queme).

Coloque la antorcha en la junta que desea soldar: el ángulo entre la antorcha y la boquilla debe ser de aproximadamente 45°. La distancia entre la antorcha y la pieza de trabajo debe ser de 5 1/2" (14 cm). Baje la máscara protectora y presione el gatillo de la antorcha para iniciar el arco. Una vez logrado el arco, mueva la boquilla lentamente de izquierda a derecha a lo largo de la junta. Ajuste la velocidad de alimentación del alambre hasta que el arco emita un sonido "crujiente" (la experiencia le ayudará a reconocer el sonido correcto).

## Soldadura de aluminio

La máquina debe estar fijada para acero suave, excepto para los siguientes cambios:

- 100 % ARGÓN como gas protector de soldadura.
- Asegúrese de que la antorcha esté fijada para soldaduras de aluminio:
- La longitud del cable de la antorcha no debe exceder 10' (3,1 m) (se recomienda no usar antorchas más largas).
- Instale un revestimiento de alambre de teflón. Siga las instrucciones a continuación para cambiar la renovación del revestimiento de alambre.
- Cerciórese de que los rodillos impulsores sean los adecuados para alambre de aluminio.
- Use piezas de contacto apropiadas para alambre de aluminio y asegúrese de que el diámetro del orificio de la pieza de contacto coincida con el diámetro del alambre que va a utilizar.

## Mantenimiento y servicio técnico

### Mantenimiento general

- Siempre suelde material limpio, seco y bien preparado.
  - Sostenga la pistola en un ángulo de 45° con respecto a la pieza de trabajo con la boquilla a aproximadamente 1/2" (12,7 mm) de la superficie.
  - Mueva la pistola en forma pareja y constante a medida que suelda.
  - Evite soldar en áreas muy expuestas a corrientes de aire. Si el aire sopla el gas protector para soldar, se obtendrá una soldadura débil, picada y porosa.
  - Mantenga el alambre y el revestimiento de alambre limpios. No use alambre oxidado.
  - Se debe evitar que el cable de soldar se doble o tuerza mientras suelda.
  - Siempre intente evitar que ingresen partículas de metal a la máquina dado que ello podría ocasionar cortocircuitos u otros tipos de daño.
  - De ser posible, utilice aire comprimido para limpiar el revestimiento de la manguera en forma periódica, en especial al cambiar las bobinas de alambre.
- PRECAUCIÓN:** Desconecte la fuente de energía cuando lleva a cabo esta operación.
- Usando aire de baja presión (3/5 Bar=20 a 30 PSI), sople de vez en cuando el polvo que se encuentra dentro de la soldadora. Esto hace que la máquina funcione a una temperatura más fría. **NOTA:** No sople aire sobre la tarjeta de circuito impreso y los componentes electrónicos.
  - El rodillo de alimentación de alambre eventualmente se desgastará durante el uso normal. Con la tensión correcta, el rodillo de presión debe alimentar el cable sin salirse de lugar. Si el rodillo de presión y el rodillo de alimentación de alambre hacen contacto cuando el alambre se encuentra entre ellos, el rodillo de alimentación de alambre deberá reemplazarse.
  - Revise todos los cables en forma periódica. Estos deben estar en buenas condiciones y sin quebraduras.

### Solución de problemas

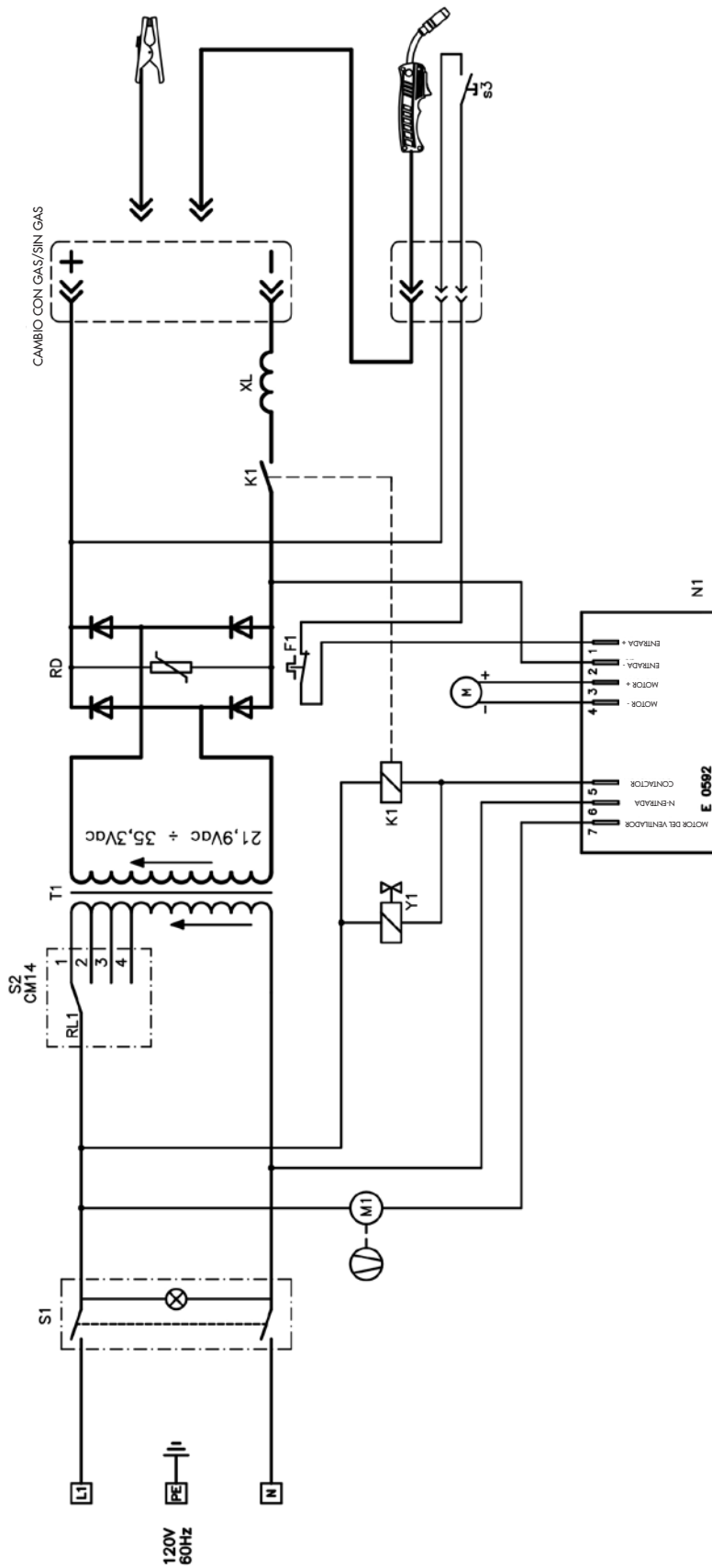
Este cuadro le ayudará a resolver problemas comunes que podría encontrar. Estas no son todas las soluciones posibles.

PROBLEMA	CAUSA POSIBLE	SOLUCIÓN POSIBLE
No hay "energía" en la soldadora.	Mal funcionamiento del cable de entrada o enchufe.  Fusible del tamaño incorrecto.  Interruptor ON/OFF (ENCENDIDO/APAGADO) defectuoso.	Verifique que la conexión del cable de entrada sea correcta.  Verifique el fusible y reemplácelo si es necesario.  Reemplace EL INTERRUPTOR DE ENCENDIDO / APAGADO.
El ventilador funciona normalmente, pero cuando se jala del gatillo de la pistola, no hay alimentación de alambre, salida de soldadura o flujo de gas.	Gatillo de la pistola defectuoso.  Intervención del termostato.	Reemplace el gatillo de la antorcha.  Deje enfriar la soldadora. Cuando la lámpara/el interruptor del piloto en el panel frontal se oscurece, indica que el termostato se ha cerrado.

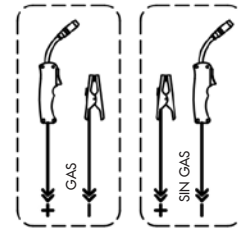
<b>PROBLEMA</b>	<b>CAUSA POSIBLE</b>	<b>SOLUCIÓN POSIBLE</b>
El motor de alimentación funciona, pero no hay alimentación de alambre.	<p>Motor de alimentación de alambre defectuoso (poco común).</p> <p>Presión insuficiente en el rodillo de alimentación.</p> <p>Rebaba en el extremo del alambre.</p> <p>Revestimiento bloqueado o dañado.</p>	<p>Reemplace el motor de alimentación de alambre.</p> <p>Aumente la presión del rodillo.</p> <p>Vuelva a cortar el alambre en ángulo recto sin dejar rebabas.</p> <p>Limpie con aire comprimido o reemplace el revestimiento.</p>
Falta de penetración.	<p>Voltaje o velocidad de alimentación del alambre demasiado baja.</p> <p>Conexión suelta dentro de la máquina (poco común).</p> <p>Pieza de contacto desgastada o de tamaño incorrecto.</p> <p>Conexión de la pistola suelta o ensamblaje defectuoso de la pistola.</p> <p>Alambre de tamaño incorrecto.</p> <p>La antorcha se mueve demasiado rápido.</p>	<p>Reajuste los parámetros de soldadura.</p> <p>Limpie con aire comprimido y ajuste todas las conexiones.</p> <p>Reemplace la pieza de contacto.</p> <p>Ajuste o reemplace la antorcha.</p> <p>Use el alambre para soldar del tamaño correcto.</p> <p>Mueva la pistola en forma pareja y no demasiado rápido.</p>
El alambre se anida en el rodillo impulsor.	<p>Presión excesiva en el rodillo impulsor.</p> <p>Revestimiento de la pistola desgastado o dañado.</p> <p>Pieza de contacto obstruida o dañada.</p> <p>Revestimiento estirado o demasiado largo.</p>	<p>Ajuste la presión en el rodillo impulsor.</p> <p>Reemplace el revestimiento de alambre.</p> <p>Reemplace la pieza de contacto.</p> <p>Corte el revestimiento de alambre en la longitud correcta.</p>
Retroceso del alambre hacia la pieza de contacto.	<p>Pieza de contacto obstruida o dañada.</p> <p>Velocidad de alimentación del alambre demasiado baja.</p> <p>Pieza de contacto de tamaño incorrecto.</p> <p>Conexión defectuosa entre el cable y la abrazadera.</p> <p>Acumulación de escoria dentro de la boquilla o la boquilla está acortada.</p>	<p>Reemplace la pieza de contacto.</p> <p>Aumente la velocidad del alambre.</p> <p>Use la pieza de contacto del tamaño correcto.</p> <p>Ajuste la conexión de la abrazadera o reemplace el cable.</p> <p>Limpie o reemplace la boquilla.</p>
La abrazadera de la pieza de trabajo y/o el cable se calientan.	<p>Velocidad de alimentación del alambre demasiado alta.</p>	<p>Disminuya la velocidad de alimentación del alambre.</p>
La boquilla de la pistola se arquea en la superficie de trabajo.	<p>Boquilla obstruida.</p>	<p>Limpie o reemplace la boquilla.</p>

<b>PROBLEMA</b>	<b>CAUSA POSIBLE</b>	<b>SOLUCIÓN POSIBLE</b>
El alambre hace que la antorcha se retraiga de la pieza de trabajo.	Está sosteniendo la antorcha demasiado lejos de la pieza de trabajo.	Sostenga la antorcha a la distancia correcta.
Soldaduras de baja calidad.	Gas insuficiente en el área de soldado.  Pieza de trabajo oxidada, pintada, con aceite o grasa.  Alambre oxidado o sucio.  Contacto a tierra deficiente.  Combinación gas/alambre incorrecta.	Verifique que no haya corrientes de aire que estén soplando el gas y, de ser el caso, trasládese a un área de soldado más resguardada. De otro modo, verifique el medidor de contenidos del cilindro de gas, la configuración del regulador y el funcionamiento de la válvula de gas.  Cerciórese de que la pieza de trabajo esté limpia y seca.  Cerciórese de que el alambre esté limpio y seco.  Verifique la conexión abrazadera con descarga a tierra/pieza de trabajo.  Revise el manual para ver la combinación correcta.
Depósito de soldadura "delgado" e incompleto.	Se movió la antorcha sobre la pieza de trabajo demasiado rápido.  Mezcla de gases incorrecta.	Mueva la antorcha más despacio.  Vea la tabla de gases de protección.
Depósito de soldadura demasiado espeso.	Se movió la antorcha sobre la pieza de trabajo demasiado despacio.  Voltaje de soldado demasiado bajo.	Mueva la antorcha más rápido.  Aumente el voltaje de soldado.

# Diagrama de cableado



F1	TERMOSTATO
Y1	VÁLVULA SOLENOIDE
K1	RELÉ
M	MOTOR DE ALIMENTACIÓN DE ALAMBRE
M1	VENTILADOR
N1	TARJETA DE CIRCUITO IMPRESO
RD	RECTIFICADOR
S1	ON - OFF (ENCENDIDO - APAGADO)
S2	INTERRUPTOR
S3	GATILLO DE LA ANTORCHA
T1	TRANSFORMADOR
XL	REDUCTOR



CM14	RL1				
	1	X			
	2	X			
	3	X			
	4				X

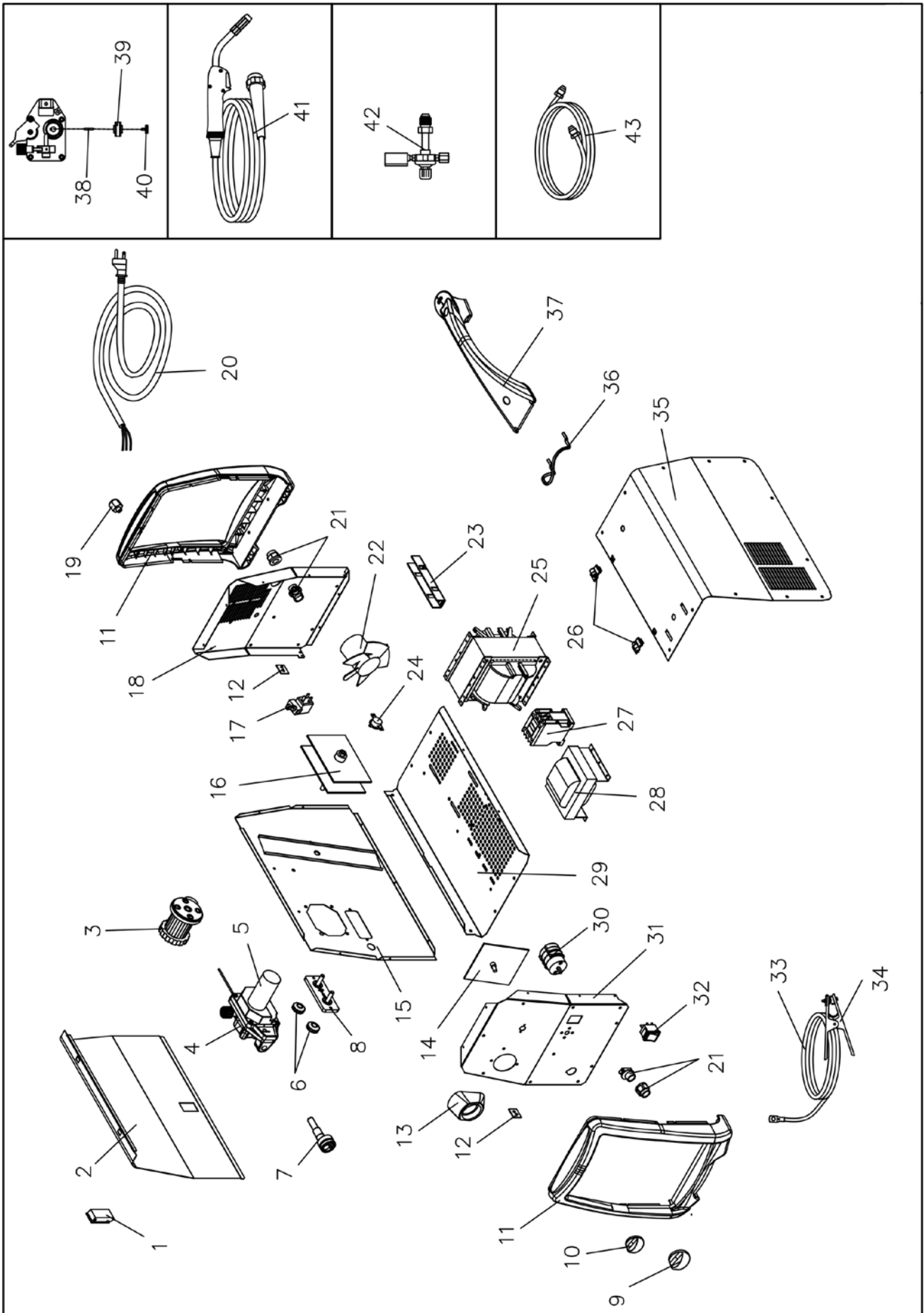


## Lista de herramientas y piezas de repuesto

NRO.	NÚMERO DE PIEZA	DESCRIPCIÓN DEL ARTÍCULO	CANT.
01	85005	Pestillo de la puerta (paquete de 1 pieza)	1
02	84008	Panel izquierdo con serigrafía y etiquetas	1
03	85541	Soporte de bobinas del kit con aro para bobinas de 5 kg	1
04	85561	Alimentador de alambre de plást./ todos d.37 Regl. 06-09	1
05	85207	Motor d.37 + piñón	1
06	84978	4 lóbulos d.30 Volante m8bush paquete 2 piezas	2
07	84001	Pistola Mig conexión europea l=32	1
08	85204	Panel de cambio de kit con gas/sin gas	1
09	85575	Perilla de interruptor d.38 negra	1
10	85554	Perilla negra d.38 para potenciómetro Indicador +	1
11	85706	Bastidor del ensamblaje + tapones	1
12	21690713	Espaciador para bastidor de plástico	1
13	84033	Ojal de antorcha para conexión europea	1
14	85262	Tarjeta de circuito impreso e0592.1R 110 V + fusible "csa"	1
15	05000279	Panel divisor con etiquetas	1
16	85257	Rectificador pms tipo f 30b	1
17	85540	Válvula solenoide 11 va 110 V 60 Hz paquete de 1 pieza	1
18	05000275	Panel trasero	1
19	22910110	Conector de gas hembra 1/8" gas - 5/8" (15,9 mm) unf	1
20	20220018K	1 paquete cable de entrada 3xawg1 4 2,25 m + enchufe us de 5/15	1
21	21605010K	Abrazadera de cable + tuerca de anillo, orificio d. 20, paquete de 2 piezas	2
22	85201	Vel. ventilador completo 16 110 V	1
23	84010	Sujetacables	1

NRO.	NÚMERO DE PIEZA	DESCRIPCIÓN DEL ARTÍCULO	CANT.
24	85573	Termostato 100ø 10a paquete de 1 pieza	1
25	84006	Transformador 1ph mig 60 Hz 115 V 40x72 al	1
26	84002	Bisagra de plástico para puerta 20x30 paquete de 2 piezas	2
27	85256	Contactador lx0 110 V 10a 4na (cn-11)	1
28	84080	Transformador reductor d.4,3 40X25 al	1
29	33700414 9005	Panel inferior	1
30	85539	Interruptor giratorio ca20 cm14	1
31	05000267	Panel frontal 140 MIG Forney c/ serigrafía	1
32	84914	Interruptor de encendido/apagado verde 16a-250 V paquete de 1 pieza	1
33	85276	Cable a tierra 10gr.Mmq mt. 2 (Paq.1)	1
34	85011	Abrazadera a tierra 300 a con recubrimiento de zinc paquete 1 pieza	1
35	84007	Panel de cubierta derecha con serigrafía	1
36	84003	Envoltura de antorcha	1
37	84004	Asa para envoltura de antorcha	1
38	85520	Llave plana 3x3 l=20 paquete de 1 pieza	1
39	85511	Rodillo de alimentación d.30 0,6-0,9 Mm mot2r paquete de 1 pieza	1
40	85515	Perilla de seguridad del rodillo de alimentación	1
41	85500	Antorcha MIG 14 mm <sup>2</sup> 3mt Tweco 1 conexión europea	1
42	85662	Reductor de gas 2 man. Cga580-5/8" unf-2b	1
43	30900035	Manguera de gas negra 3 metros	1

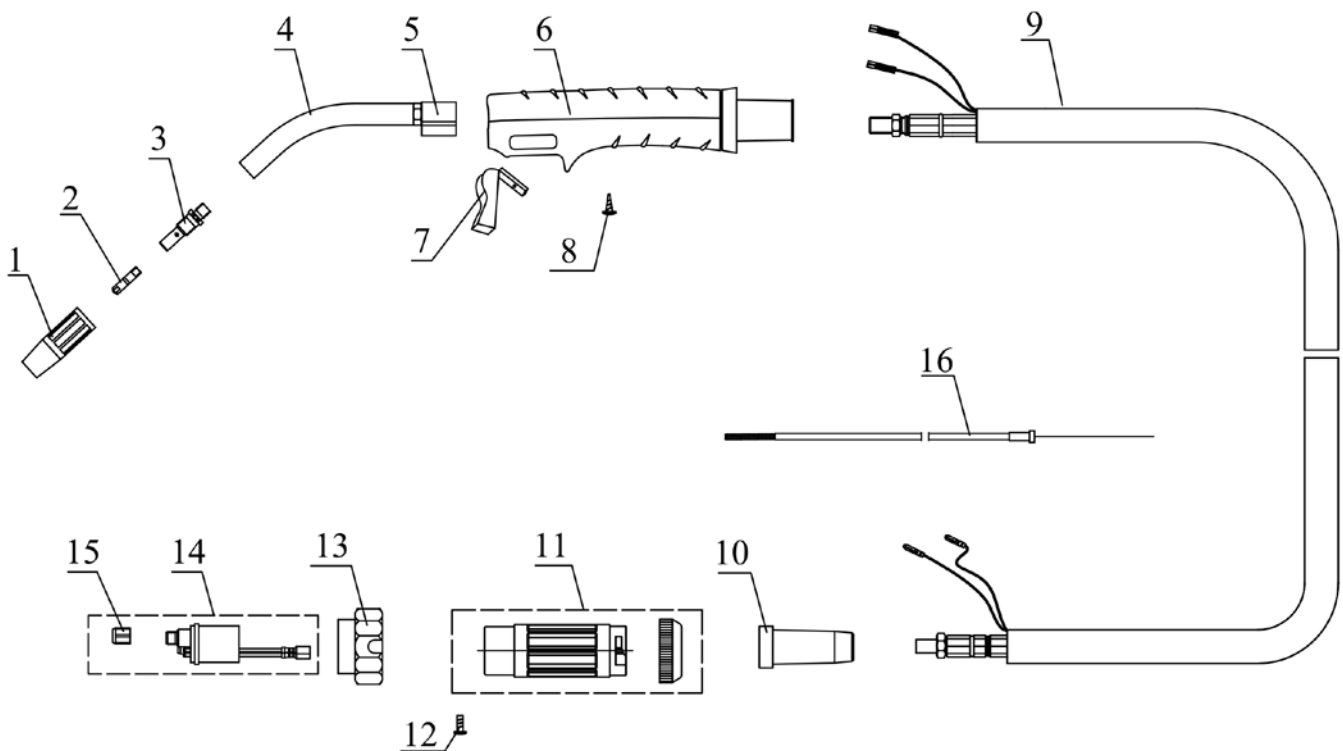
# Diagrama de piezas



# Lista de repuestos de antorcha con pistola MIG

NRO.	NÚMERO DE PIEZA	DESCRIPCIÓN DEL ARTÍCULO	CANT.
01	23005373K	Boquilla de antorcha Tweco 21-50f paquete de 1 pieza	1
02	23005018K	Pieza de contacto 0,6 Mm para t1.4-1.6 paquete de 10 piezas	10
02	23005019K	Pieza de contacto de 0,8 Mm para t1.4-1.6 paquete de 10 piezas	10
02	23005182K	Pieza de contacto de 0,9 Mm para t1.4-1.6 paquete de 10 piezas	10
03	23005374K	Difusor de gas Tweco 35-50 paquete de 1 pieza	1
04	23005375K	Cuello de antorcha Tw1 m15 paquete de 1 pieza	1
05	23005360K	Compartimiento de plástico de cabezal de antorcha paquete de 1 pieza	1
06	23005376K	Mango negro para antorcha m15 paquete de 1 pieza	1

NRO.	NÚMERO DE PIEZA	DESCRIPCIÓN DEL ARTÍCULO	CANT.
07	23005377K	Gatillo de antorcha rojo paquete de 1 pieza	1
08	23005362K	Tornillos para mango de antorcha m25 paquete de 12 piezas	12
09	23005535	Cable coaxial 14 mm <sup>2</sup> 3 m paquete 1 de pieza	1
10	23005482	Sujetacables de plástico	1
11	23005483	Kit de caja trasera	1
12	23005539	Tornillo negro m4x6	1
13	23005484	Ojal de plástico	1
14	23005536	Conexión europea macho	1
15	23005537	Tuerca de bloqueo del revestimiento de la antorcha	1
16	23005538	Revestimiento de alambre de acero azul 0,8-1,0	1







**Forney Industries, Inc.**

2057 Vermont Drive  
Fort Collins, CO 80525  
800-521-6038  
[www.forneyind.com](http://www.forneyind.com)